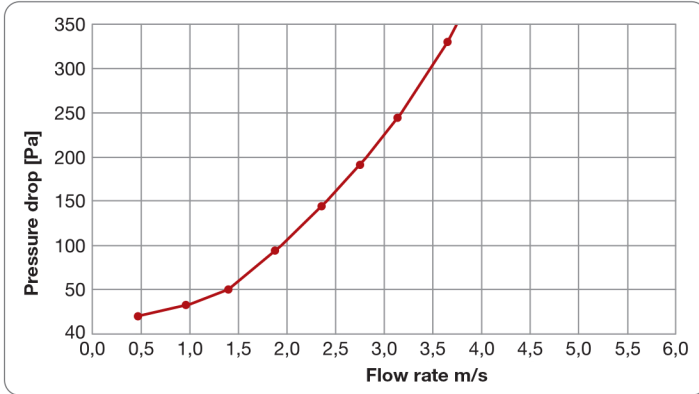


Drop separators

Description

- SGA 28:** drop separators pitch 28 mm in aluminium
- execution: frame in Peralluman aluminium alloy 5754 th. 20/10 mm
 - blades in aluminium alloy 1050 th. 7/10 mm
 - models with 1-5 pleats
 - execution ENTIRELY in Peralluman with blades th. 1 mm (list price x 1.5)

SG 28/3 Pressure drop diagram



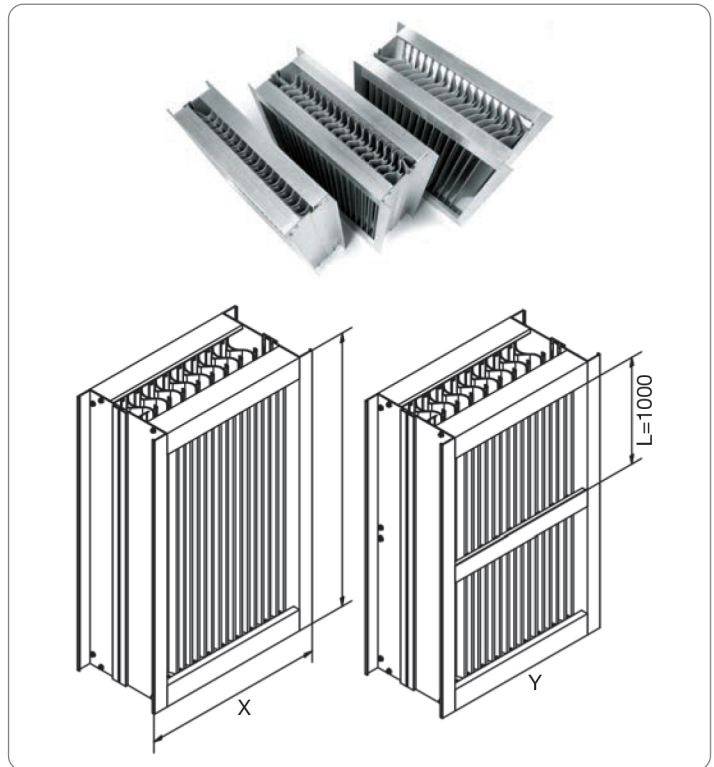
Description

- PSG 10:** blade 170 mm, 0400 Aluminium, OR03 Polypropylene, 0300 Antibacterial polypropylene
- PSG 20:** blade 150 mm, OR03 Polypropylene, 0300 Antibacterial polypropylene
- PSG 33:** blade 150 mm, 0400 Aluminium, OR03 Polypropylene, 0300 Antibacterial polypropylene

- extruded aluminium frame EN AW 6060 T6
- blade pitch 25 or 33 mm
- working temperature:
 - extruded polypropylene 130°C
 - black polypropylene 70°C
- antibacterial execution according to VDI 6022

Prices on request

Dimensions



External dimension	X
Internal dimension	X - 60 mm
Profile height	Y
Aluminium blade	Y - 50 mm
Polypropylene blade	Y - 50 mm
End profile	Y - 48

Pressure drop diagram

