

Filtration

GRFFPFX



### Description

- GRFFPFX:** return grille in perforated sheet metal for installation in contamination-controlled pharmaceutical environment
- including rear box with filter fastening device
  - perforated grille and box made of AISI 304 stainless steel
  - fastening with countersunk screws or magnets
  - possibility of inserting G4 flat panels, F9 filters with mini pleats, th.48, absolute filters H14 th. 68

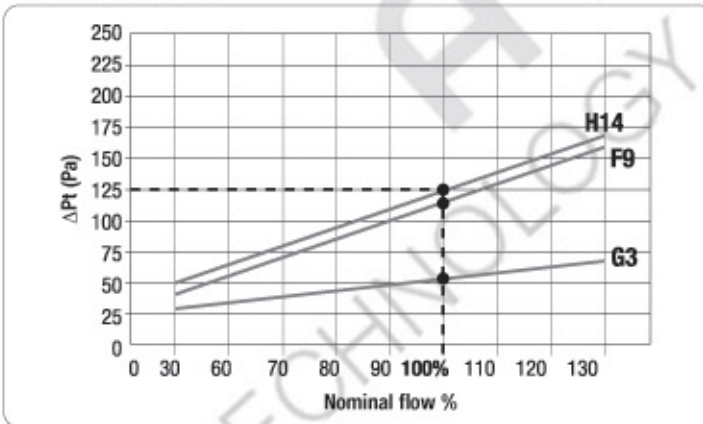
### Accessories

- volume control damper

### Special executions

- executions in AISI 316 stainless steel
- executions in aluminium

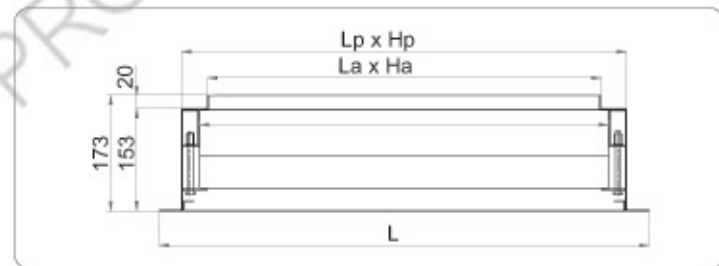
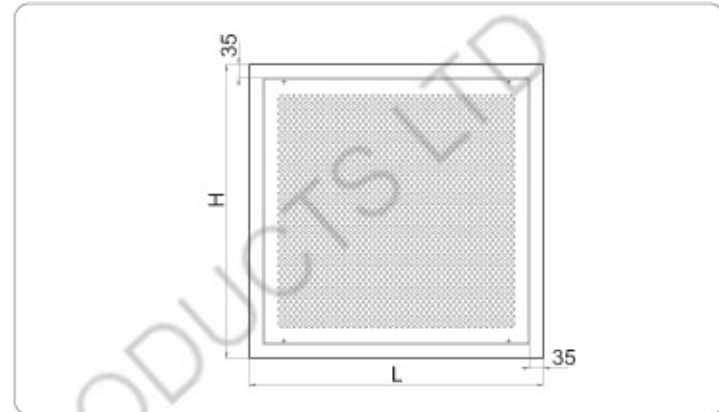
### Filter pressure drop



### Nominal flows

Type	Filter	m <sup>3</sup> /h
MK23	305x610	800
	610x610	1700
	600x915	2500
FTR-F9	305x610	1350
	610x610	2700
	610x915	4000
FAL436	305x610	300
FAL466	610x610	600
FAL469	610x915	900

### Dimensions



Type	Filter	L x H	Lp x Hp	La x Ha
GRFFPFX36	305x610	436x731	359x664	282x587
GRFFPFX66	610x610	731x731	664x664	587x587
GRFFPFX69	610x915	731x1036	664x969	587x892

### Grille front pressure drop

