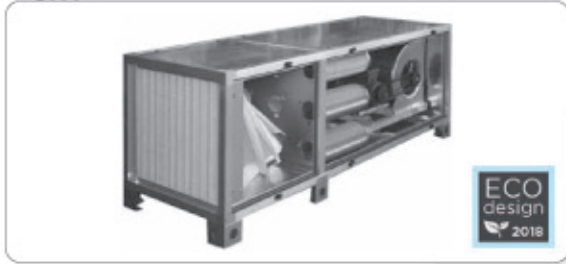


## UFA



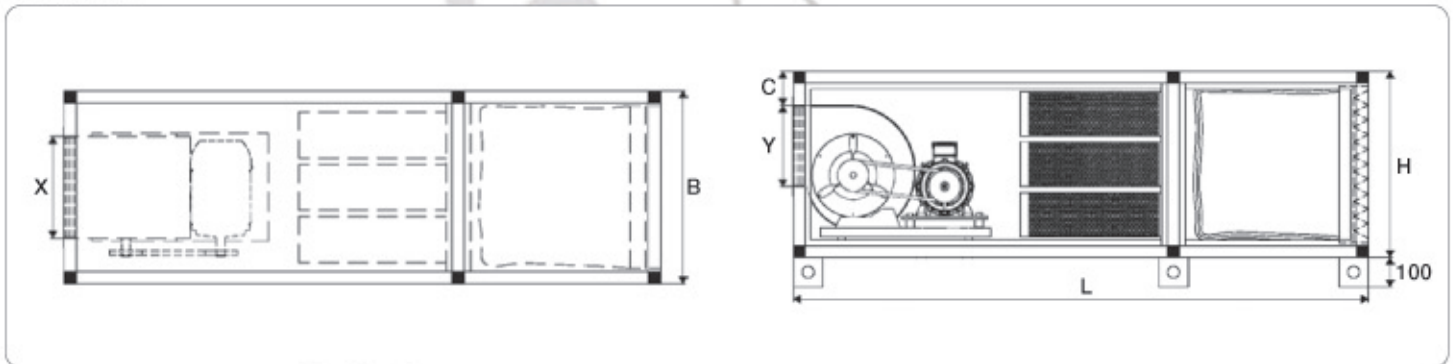
### Description

- UFA: air filter units with "G4" EPM coarse 65% filter, "F6" EPM 1 50% pocket filters, activated carbon filters
- forward inclined centrifugal fans, double inlet with belt transmission
  - frame in tubular aluminium and double-wall galvanised panels filled with polyurethane foam thermo-acoustic insulation (40 Kg/m<sup>3</sup> density) in class "0" thickness 23 mm
  - support feet
  - working temperature -20°C / +40°C

### Accessories

- rain protection cover for outdoors
- inclined spigot with wire mesh
- safety switch (list price €210)
- inverter

### Dimensions



Model	B	L	H	C	X	Y
UFA / DP 1600	670	2000	670	110	232	255
UFA / DP 3300	670	2000	670	110	331	289
UFA / DP 4500	1080	2100	750	120	395	341
UFA / DP 6600	1280	2000	800	140	471	404
UFA / DP 8800	1680	2000	800	140	471	404
UFA / DP 9300	1280	2200	1080	140	557	478
UFA / DP 12000	1280	2200	1280	140	557	478
UFA / DP 18000	1900	2500	1280	140	638	638
UFA / DP 20000	2500	2500	1280	140	638	638

### Selection table

Model	Flow rate m <sup>3</sup> /h	Prev. Useful in Pa	kW	RPM speed	Voltage
UFA / DP 1600	1600	200	0.55	1673	400/3 F
UFA / DP 3300	3300	200	1.1	1481	400/3 F
UFA / DP 4500	4500	200	1.5	1272	400/3 F
UFA / DP 6600	6600	200	2.2	1062	400/3 F
UFA / DP 8800	8800	200	3	1040	400/3 F
UFA / DP 9300	9300	200	3	882	400/3 F
UFA / DP 12000	12000	200	4	872	400/3 F
UFA / DP 18000	20300	200	7.5	821	400/3 F
UFA / DP 20000	25400	200	11	856	400/3 F

### Accessories

Rain protection cover	Inclined spigot
150	108
150	119
259	120
288	124
450	124
469	127
506	127
768	166
809	166

### Configurations

