



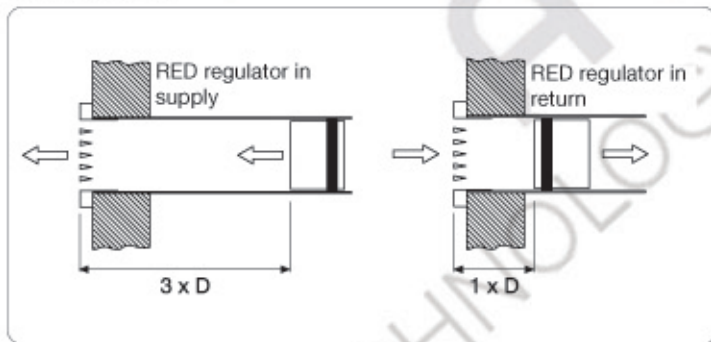
Description

- RED:** Circular CAV unit
- made of class M1 plastic
 - control unit with spring and shock absorber piston
 - maximum temperature up to 60°C
 - operating range from 50 to 200 Pa
 - tolerance $\pm 10\%$
 - horizontal or vertical assembly
 - sizes from 80 to 250 mm
 - flow rates from 15 to 700 m³/h factory set

Special Executions

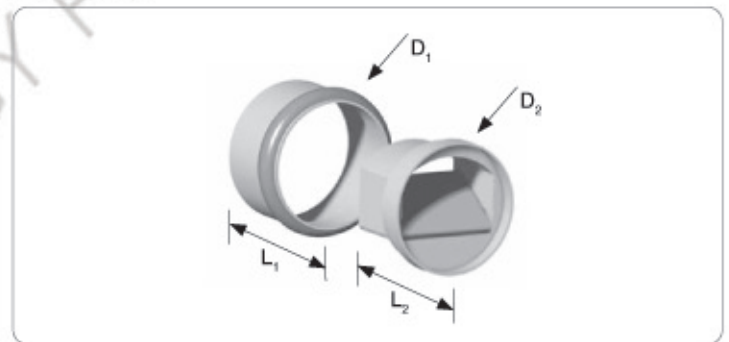
- RED-AP:** like RED but with operating range from 150 to 600 Pa
- flow rates from 50 to 1200 m³/h factory set

Technical data



Flow rate (m ³ /h)	Lw [dB(A)]			
	50 Pa	100 Pa	150 Pa	200 Pa
15	25	29	32	35
30	26	31	35	38
45	27	33	36	39
60	32	37	39	42
75	32	37	40	42
90	32	38	41	44
120	30	34	39	42
150	33	37	41	45
180	34	40	44	47
210	34	40	42	44
240	35	41	44	47
270	37	43	45	49
300	33	37	42	45
350	35	40	44	47
400	37	42	45	50
450	38	44	46	51
500	39	46	48	53

Dimensions



DN	80	100	125	160	200	250
D1 (mm)	76	95	120	146	196	544
L1 (mm)	55	60	60	120	120	120
D2 (mm)	73	93	117	146	192	242
L2 (mm)	50	55	56	82	82	82