



- ▶ SPECIAL WINDER PROFILE
- ▶ EC MOTORS
- ▶ LOW NOISE LEVEL
- ▶ LOW CONSUMPTION



Special "Winder-type" fan and air conveyor profile for reduced noise level and greater fan efficiency

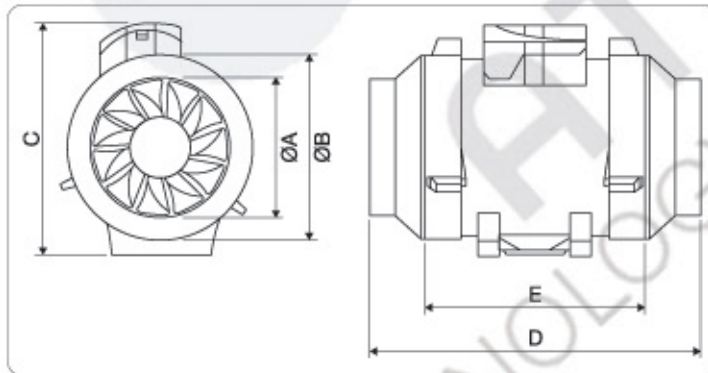
Description

- IN-NOVO: "Mixed" in line fans for circular duct
- high performance thanks to "Winder-type" impellers
 - made of extra-strong thermoplastic
 - single-phase motors up to 200 size and three-phase motors for 250 and 315 sizes
 - "telescopic" inlet and outlet for easy installation
 - independent support with screw fastening
 - EC, S1 motors with IP54 protection rating
 - impellers mounted on ball bearings
 - integrated electronic control with 0-10V signal

Accessories

- Potentiometer 0-10V (list price €145)

Dimensions



Size	Ø A	Ø B	C	D	E
100	100	175	235	321	185
125	125	175	235	321	185
160	160	206	275	355	215
200	200	206	275	355	215
250	250	323	400	495	340
315	315	323	400	495	340

Selection table IN-NOVO EC

GR	Poles	kW	Static pressure (Pa)											Noise LpA (dBA)
			0	10	20	30	40	50	60	80	100	150	200	
			Flow rates (m³/h)											
100	4	0.009	180	150	130	80	-	-	-	-	-	-	-	31
125	4	0.012	190	170	160	130	120	100	80	-	-	-	-	32
160	4	0.023	410	380	350	330	310	280	260	210	150	-	-	33
200	4	0.080	-	490	450	410	380	340	310	250	180	-	-	34

IN-NOVO EC PLUS

GR	Poles	kW	Static pressure (Pa)											Noise LpA (dBA)
			0	10	20	30	40	50	60	80	100	150	200	
			Flow rates (m³/h)											
100	2	0.012	260	245	220	195	175	130	90	-	-	-	-	31
125	2	0.012	300	280	260	245	220	200	180	130	-	-	-	32
160	2	0.110	800	780	770	760	720	680	660	600	580	400	-	40
200	2	0.115	1100	1050	980	960	930	910	900	850	810	700	550	41

IN-NOVO Three-phase

GR	Poles	kW	Static pressure (Pa)											Noise LpA (dBA)
			0	100	150	200	250	300	400	500	600	700	800	
			Flow rates (m³/h)											
250	2	1.100	-	3900	3700	3600	3400	3300	3000	2500	2000	800	300	69
315	2	1.100	4950	4800	4700	4300	4100	4000	3700	3400	2800	2200	400	70

LpA(dBA): sound pressure level measured at 3 m in free field