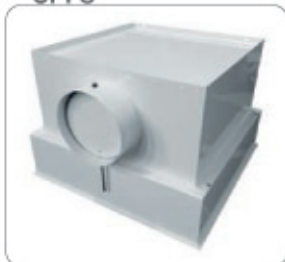


Filtration

CPFS



▶ **TERMINAL AIR DIFFUSERS WITH ABSOLUTE FILTERS FOR AIR FLOWS IN ONE DIRECTION**

Description

CPF: absolute filter holder box, in sheet metal, th. 1 mm with RAL 9010 epoxy coating

- special stop to seal the absolute filter, tightened by non-deformable corners
- volume control damper operated from the front with filter installed
- connections for measuring the differential pressure of the filter both from the side and front without removing the filter
- leakage tests according to EN 1886/2006

CPFS: side connection

CPTS: top connection

CPFS...F: with perforated diffusers side connection

CPFS...F: with perforated diffusers top connection

CPFS...F: with swirl diffusers side connection

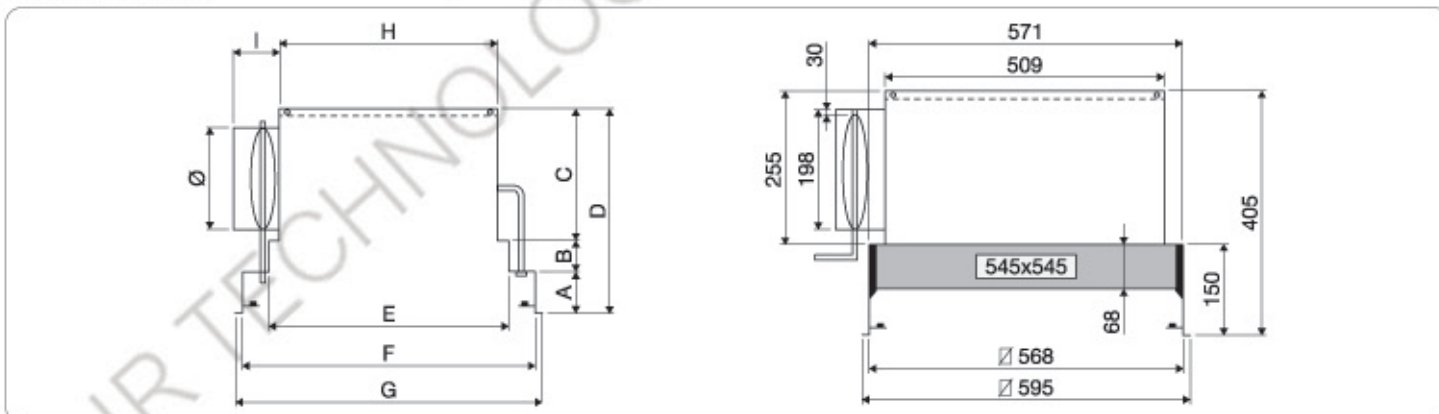
CPFS...F: with swirl diffusers top connection

Special executions

CPF: execution in AISI 304 stainless steel

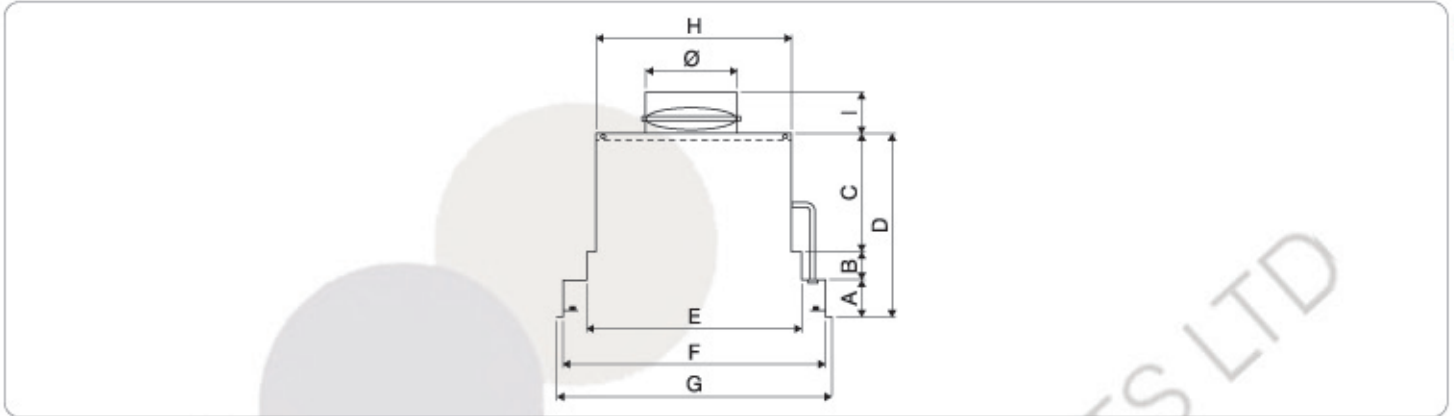
CFFA: execution in airtight aluminium

Dimensions CPFS



Dim. Filter	A	B	C	D	E	F	G	H	I	DN
305x305x68-595	80	60	215	355	313	568	595	274	90	158
305x610x68	80	60	255	395	313x618	568x730	595x770	274x577	90	198
457x457x68	80	60	255	395	465	568	595	424	90	198
545x545x68	80	60	255	395	551	625	665	509	90	198
545x545x68-595	80	70	255	405	551	568	595	509	90	198
610x610x68	80	60	305	445	618	730	770	577	90	248
610x915x68	80	60	305	445	618x923	730x1035	770x1075	577x882	90	2x248
610x1220x68	80	60	305	445	618x1228	730x1340	770x1380	577x1187	90	2x248

Dimensions CPFT



FAL



FAL H13	FAL H14	Dimensions L x H x D (mm)	Flow rate (m³/h)*	Filter surface (m²)	Initial pressure drop (Pa)	
333	433	305x305x68	150	2.7	110	120
344	444	457x457x68	335	6.2	110	120
336	436	305x610x68	300	5.5	110	120
366	466	610x610x68	600	11	110	120
369	469	610x915x68	900	16.5	110	120
355	455	545x545x68	500	9.5	110	120
3612	4612	610x1220x68	1200	22	110	120

*: flow with laminar velocity of 0.45 m/s

Pressure drop diagram

