

Diffusion



Description

WPLS: air intake/expulsion grille in natural aluminium, blade pitch 30 mm with rainproof profile, including wire mesh

WPLS W: like WPLS but coated with RAL 9010

WPL: air intake/expulsion grille in natural aluminium, blade pitch 75 mm with rainproof profile, including wire mesh

WPL W: like WPL but coated with RAL 9010

Special versions

ELOX: natural anodised aluminium (on request)

VR: coating according to RAL 9005 / 9006 table
fixed surcharge €30 + 20% per piece

Other RAL colours on request

WPLS selection table

V	ΔPt	LpA
1.0	7	21
1.5	16	28
2.0	28	34
2.5	46	40
3.0	68	43
3.5	92	45
4.0	118	48
4.5	155	50
5.0	180	52

WPL selection table

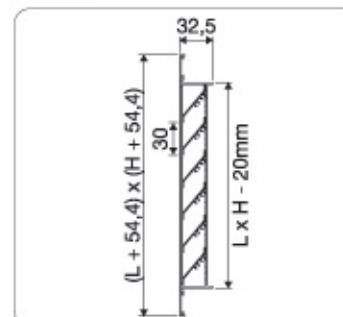
V	ΔPt	LpA
1.0	7	21
1.5	16	28
2.0	28	34
2.5	46	40
3.0	63	43
3.5	89	45
4.0	114	48
4.5	148	50
5.0	180	52

V: velocity referring to front section (B-25) x (H-75) m/s

ΔPt: pressure drop in Pa

LpA: sound level pressure, measured in free field at a distance of 2 metres, hemispherical

WPLS



WPL

