

Air flow control



Description

SP: galvanised steel frame th. 10/10, aluminium blade with gasket th. 7/10 mm, stub shaft \varnothing 6 mm, anti-tip nylon bearings. Suitable for speeds up to 5 m/s; for higher speeds, we recommend the version with conjugated blades.

SP50 D/S: pitch 50 mm

SP100 D/S: pitch 100 mm

SP...D: EXHAUST

SP...S: INLET

SP100K: like SP100 but with frame for duct assembly

Available execution (see page 11)

- Intermediate dimensions (larger sizes) or special flanges (list price +€52)
- In AISI 304 stainless steel (list price x2)
- In AISI 316 stainless steel (list price x3)
- Version entirely in aluminium (list price x1.5)
- Continuous solid shaft, Nylon, Teflon or Bronze bearings (see page 11)
- Anti-tip device (list price +15%)
- Circular lightweight or heavy version also available

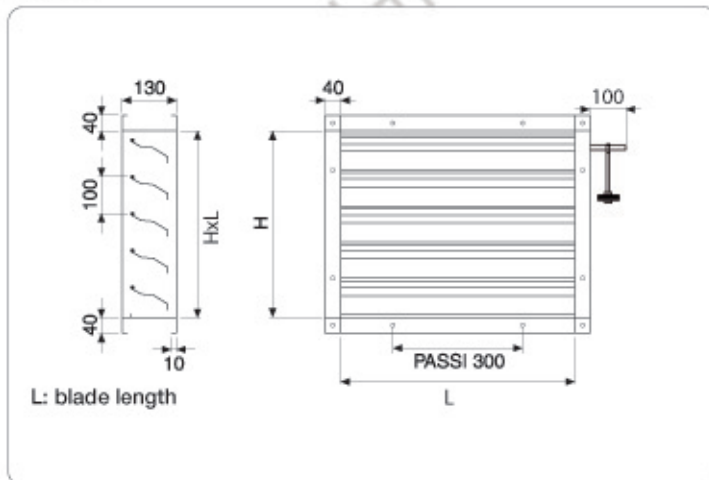
SP 100 KVH: like SPK100K but with \varnothing 12 shafts, conjugated blades + adjustable counterweight outside the flow, mounted on the height side (list price x3)

SP...SR: inlet version with mesh (list price +30%)

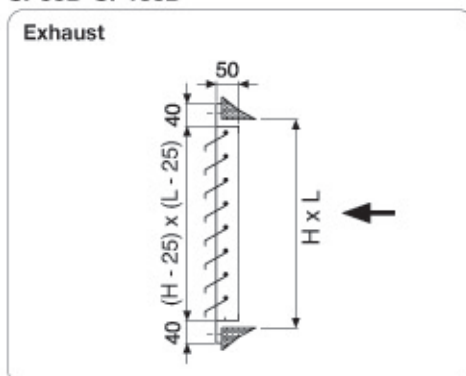
ATEX execution: II 2G Ex h IIB/IIC T1...T6Gb

II 2D Ex h IIIC T 450°C...T 85°C Db (list price +40% +€120 each)

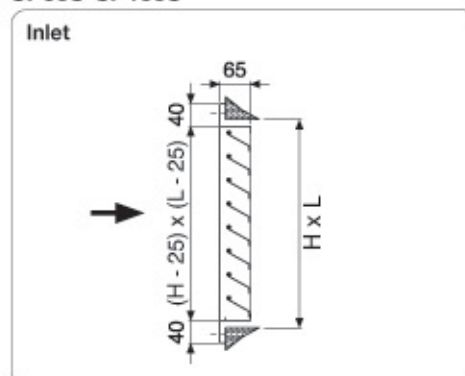
SP100K



SP50D-SP100D



SP50S-SP100S



SP50SR-SP100SR

