

▶ **PRODUCT WITH DECLARATION OF CONFORMITY UNI 9494/2 - 2017 FOR TEMPERATURES UP TO 722 °C**

Description

SMVHZ: supply grilles with two rows of adjustable blades (1st vertical)

- made of galvanised steel
- fastening with snap-on clips

SMHVZ: like SMVHZ but with 1st row of adjustable blades +10%

SMVZ: single row of vertical adjustable blades -5%

SMHZ: single row of horizontal adjustable blades -10%

special terms and conditions: control damper

PL: side entry plenum

PT: plenum with rear entry

I: external anti-condensate insulation reaction to fire class B-s2-d0 (list price € 30)

CT: counterframe for fastening with snap-on clips

Special versions

SM....W: RAL 9010 finish (list price +20%)

SM....X: AISI 304/316 stainless steel finish (on request)

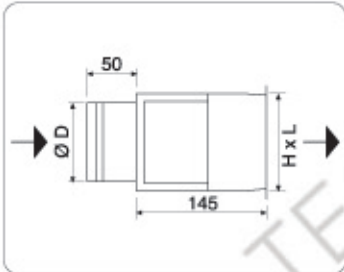
SM....FV: fastening with visible screws (not included)

VR: coating according to RAL 9005 / 9006 table

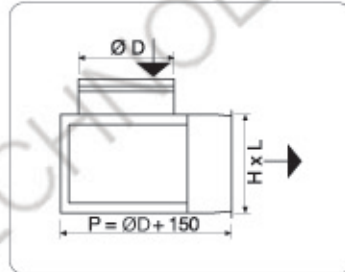
fixed surcharge €30 + 20% per piece

Other RAL colours on request

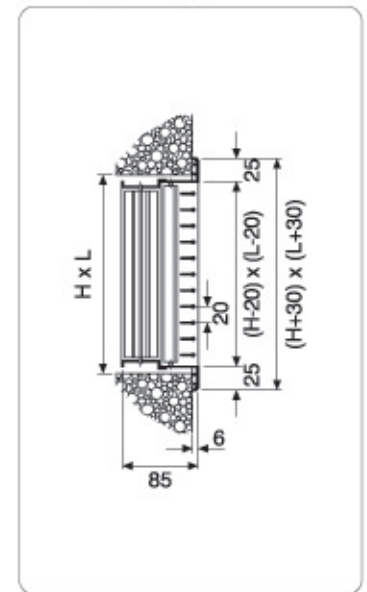
PT



PL



SMVHZ/SMHVZ/SC



Selection table for SMVH-SMHV-SMV-SMH (with ceiling effect A) Vt 0.375 m/s

AK (dm²)	L x H (mm)	Flow rate (m³/h)																		
		150		200		300		400		500		700		900		1200		1500		
1.1	200x100	-	4.1	19	5.5	28	8.2													
		3.8	10	5.0	18	7.6	40													
1.6	300x100	-	3.4	-	4.5	21	6.8	28	9.1											
		2.6	5	3.5	8	5.2	19	6.9	3.4											
2.4	400x100 300x150	-	3.7	-	5.6	20	7.4	25	9.3											
		2.3	4	3.5	8	4.6	15	5.8	23											
3.0	500x100	-	5.0	16	6.0	21	8.3	29	12											
		2.8	5	3.7	10	4.6	15	6.5	29											
4.0	600x100 400x150 300x200	-	4.3	-	5.7	-	7.2	23	10	29	13									
		2.1	3	2.8	5	3.5	8	4.9	17	6.2	27									
4.9	800x100 500x150 400x200	-	5.2	-	6.5	19	9.1	25	12	32	16									
		2.3	4	2.8	6	4.0	11	5.1	18	6.8	32									
6.0	600x150 500x200	-	5.9	15	8.2	21	11	22	14	34	18									
		2.3	4	3.2	7	4.2	12	5.5	22	6.9	34									
7.8	800x150 600x200	-	7.2	16	9.2	23	12	29	15	35	19									
		2.5	4	3.2	7	4.3	13	5.3	20	7.0	35									
10.5	800x200 500x300	-	8.0	17	11	23	13	36	20	36	20									
		2.4	4	3.2	7	4.0	11	5.1	18	6.8	32									
13.2	600x300	-	9.5	18	12	37	21	37	21	37	21									
		2.5	4	3.2	7	4.0	11	5.1	18	6.8	32									
16.0	800x300	-	8.6	-	11	-	-	-	-	-	-									
		2.1	3	2.6	5	-	-	-	-	-	-									
21.0	1000x300	-	9.4	-	-	-	-	-	-	-	-									
		NR	Lt	-	-	-	-	-	-	-	-									
		Vk	Δpt	-	-	-	-	-	-	-										

The NR values do not take into account room attenuation

K factors for other Vt

L ₁ (m)	v (m/s)		
	0.25	0.375	0.50
Ax	1.50	1	0.75
Bx	1.05	0.7	0.53

B = without ceiling effect

α = angle of blades
β = angle of air jet

K factor for deflection

α	β	Lt	Vk	Δpt	NR
22°	35°	x0.77	x1.15	x1.30	+3
45°	60°	x0.55	x1.25	x1.60	+6