

Diffusion



▶ **PRODUCT WITH DECLARATION OF CONFORMITY UNI 9494/2 - 2017 FOR TEMPERATURES UP TO 722 °C**

Description

SMRZ: supply/return grille with double deflection blades, 1 vertical calendered to circular duct

- made of galvanised steel
- fastening with screws (not included)

SMRVZ: like SMR but single vertical row

SMRHZ: like SMR but single horizontal row

Accessories

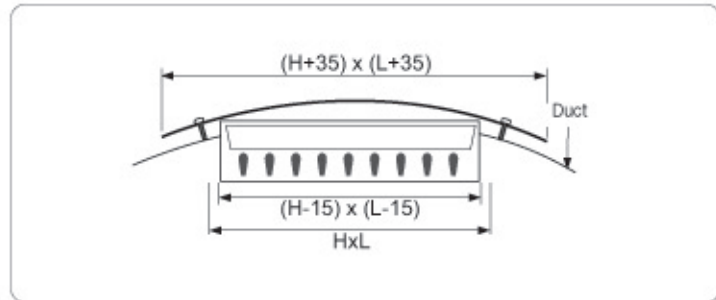
- SC: control damper
- SK: deflector flap damper with equaliser with multiple adjustable blades
(price on request)

Special versions

- version in AISI 304/316 stainless steel
- W: RAL 9010 coating (list price +20%)
- VR: coating according to RAL 9005 / 9006 table fixed surcharge €30 + 20% per piece

Other RAL colours on request

SMRZ



Selection table - Vt 0.375 m/s

AK (dm²)	L x H (mm)	Flow rate (m³/h)																							
		100		150		200		300		400		500		600		800		1200		1600		2000		3000	
1.1	325x75	17	2.8	28	4.1	35	5.5	4.5	8.3																
		2.5	16	3.8	35	5.1	62	7.6	140																
1.5	425x75	-	2.4	20	3.6	28	4.7	38	7.1	46	9.5														
		1.9	8.4	2.8	19	3.7	33	5.5	75	7.4	134														
1.9	525x75			15	3.2	23	4.2	33	6.3	41	8.4	47	11												
				2.2	12	2.9	21	4.4	47	5.8	83	7.3	130												
2.3	625x75 325x125					18	3.8	29	5.7	37	7.6	42	9.6	47	11										
						2.4	14	3.6	32	4.8	47	6.0	89	7.2	128										
3.0	825x75 425x125							23	5	31	6.7	37	8.4	41	10										
								2.8	19	3.7	33	4.6	52	5.5	75										
3.7	1025x75 525x125							19	4.5	26	6	32	7.5	37	9.0	44	12								
								2.2	12	3.0	22	3.7	34	4.5	49	6.0	88								
4.5	625x125 325x225							22	5.5	28	6.8	32	8.2	40	11										
								2.5	15	3.1	23	3.7	33	4.9	59										
6.0	825x125 425x225							22	5.9	26	7.1	34	9.5	44	14										
								23	13	2.8	19	3.7	33	5.5	75										
7.5	1025x125 525x225							17	5.3	21	6.4	29	8.5	39	13	47	17								
								1.9	8.4	2.2	12	3.0	22	4.4	47	5.9	85								
9.0	1225x125 625x225									17	5.8	25	7.7	36	12	43	15	49	19						
										1.9	8.4	2.5	15	3.6	33	5	59	6.1	93						
12.0	825x225											19	6.7	29	10	37	13	43	17	53	25				
												1.9	8.4	2.7	19	3.7	33	4.5	52	7	118				
15.0	1025x225	NR	Lt																						
		Vk	Δpt																						

The NR values do not take into account room attenuation