

KWP-O



- ▶ VDI 6022 HYGIENIC STANDARD
- ▶ STABILISER BAR

Description

EI 120 S fire damper according to UNI EN 1366-2 classification UNI EN 13501-3 certificate no. 1488-CPR-0444/W

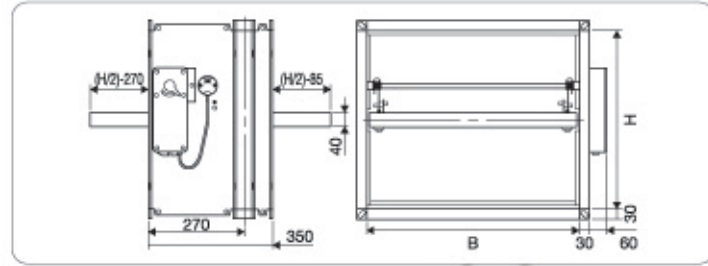
CE marking - VDI 6022 hygienic certificate

- Special stabiliser bar to prevent vibrations and increase damper rigidity
- Construction: Z275 galvanised steel frame th. 15/10- 20/10 with flanges for connection to the ducting, intermediate thermal break, offset blade in calcium silicate mounted on steel pins and brass bushings, intumescent gasket and perimeter gasket for tightness against cold
- Vertical or horizontal installation
- Leakage class C of the frame according to EN 1751
- Leakage "Class 3" tests on blade according to EN 1751

Fitted with:

- **Manual version:** with 72°C thermal fuse, spring return and microswitch
- **Motorised version:** motors with thermal fuse, return spring, 24V and 230V dual microswitch

- Installations in walls with fire resistance classes EI 120/90/60 with blade installed in the wall
- Ceilings th. 150 mm
- Masonry walls with th. 115 mm



EI 120 (ve ho i <-> o) S

Construction in single piece up to 1500x650 manual version and 1500x1000 motorised version

Installation in series up to 6 m² in 9 pieces

KWP-O-S: with thermal fuse and spring return

KWP-O-W: With thermal fuse, spring return and microswitch (W1 - W2 - W12)

- W1: limit switch on closing
- W2: limit switch on opening
- W12: limit switch opening and closing

KWP-O-E24T: with servomotor with return spring, thermal fuse and double opening and closing micro limit switch, 24V power supply

KWP-O-E230T: with servomotor with return spring, thermal fuse and double opening and closing micro limit switch, 230V power supply

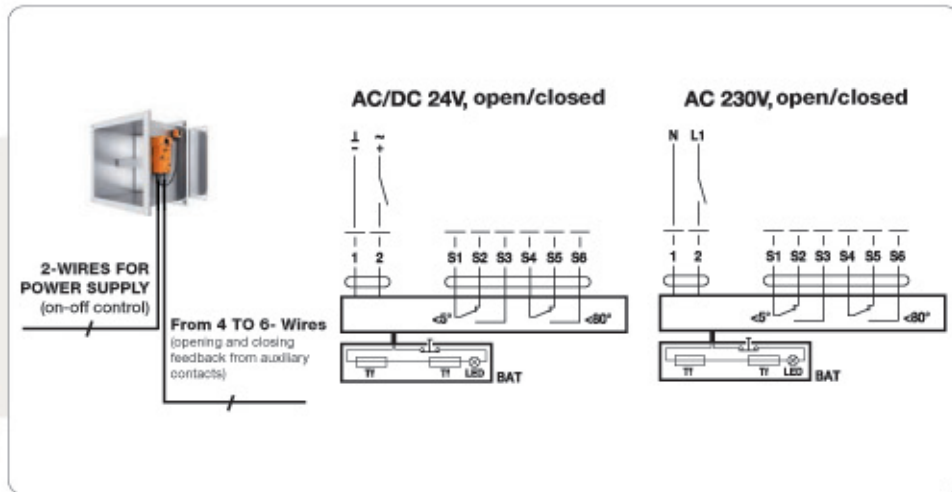
Special constructions

- Execution in batteries
- Execution in AISI 304/316 stainless steel
- ATEX execution: Ex II 2GD c IIB T6
- Made of galvanised steel coated according to the RAL table
- Blade treated with solvent-free, silicate-based impregnating agent, for acidic or very humid environments
- 95° thermal fuse for motorised version
- Additional communication systems (see page 10)

Fire /smoke control damper

Standard actuator

- BFL24-T
- BFN24-T
- BF24-T
- BFL230-T
- BFN230-T
- BF230-T

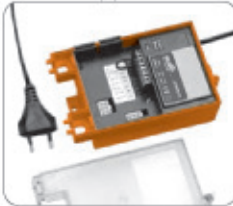


Control and warning

Actuators:

- All 24V actuators with T-ST extension
- BFL24-T-ST
- BFN24-T-ST
- BF24-T-ST

BKN230-24



Description

- Power supply and communication unit for actuators for 24V fire damper with ST socket
- Built-in status light
- Possible connection to a smoke detector, without additional power supply
- AC 230V power supply

BKS24-1B



Description

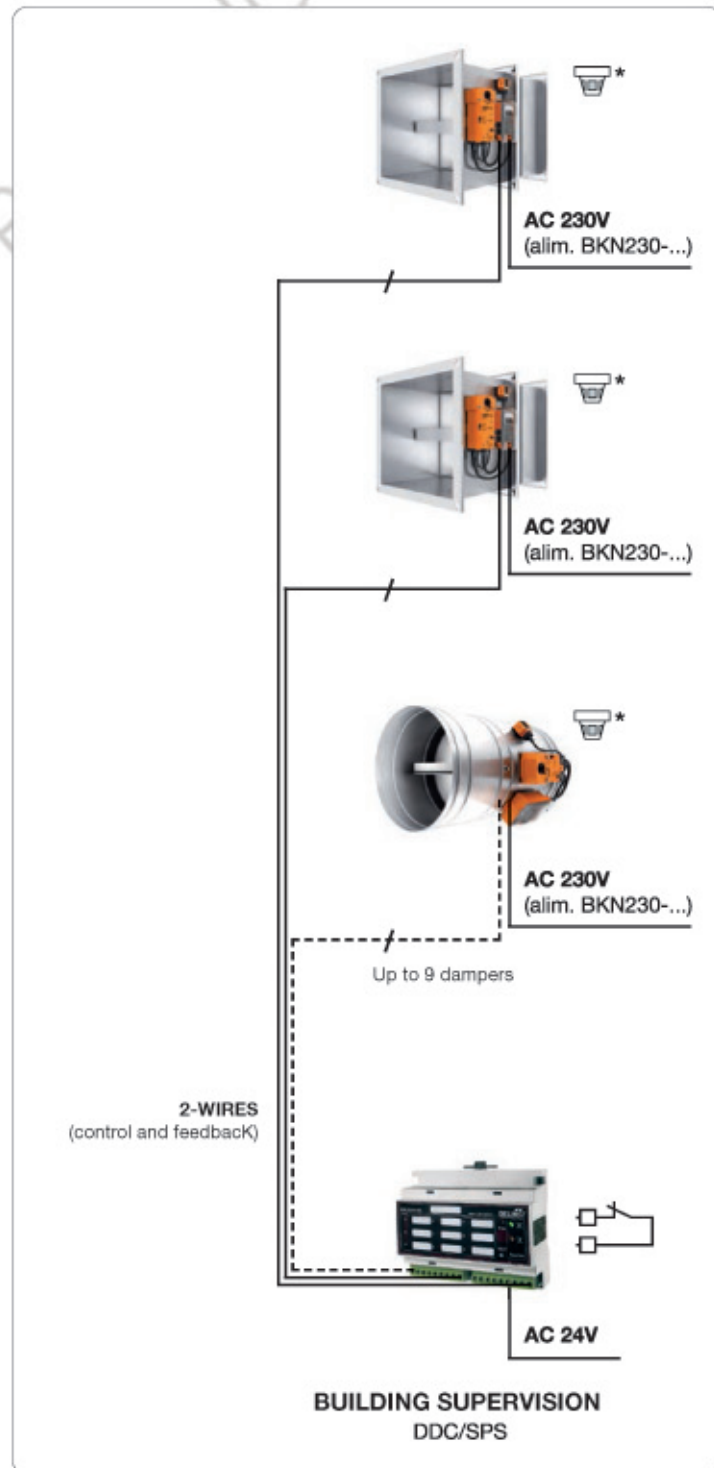
- Communication and control unit for fire damper
- Control and monitoring of 1 damper
- Built-in status light
- ZSO-11 connection base required
- AC 24V power supply

BKS24-9A



Description

- Communication and control unit for fire damper
- Control and monitoring of 9 dampers
- Built-in status light
- Connection plug terminals
- AC 24V power supply





- ▶ **VDI 6022 HYGIENIC STANDARD**
- ▶ **CERTIFICATION FOR ASSEMBLY OUTSIDE THE WALL UP TO 1 METRE**

Description

EI 120 S fire damper according to UNI EN 1366-2 classification UNI EN 13501-3 certificate no. 1438-CPR-0509
CE marking - VDI 6022 hygienic certificate

- Construction: Z275 galvanised steel frame th. 10/10 male coupling for direct insertion into the duct, offset blade in calcium silicate mounted on steel shafts and brass bearings, intumescent gasket and perimeter gasket for tightness against cold fumes
- Vertical or horizontal installation
- Leakage Class B of the frame according to EN 1751

Fitted with:

- **Manual version:** with 72°C thermal fuse, spring return and microswitch
- **Motorised version:** actuators with 72°C thermal fuse, spring return, 24V and 230V dual microswitch

- Installations in walls with fire resistance classes EI 120/90/60 with blade installed in the wall or outside
- Ceilings th. 150 mm
- Low density masonry walls (min. 450 Kg/m³) with th. 115 mm
- Plasterboard walls th. 125 mm
- Outside the wall th. 120 mm up to 1 metre (EI 90S)
- Minimum distance wall or duct 10 mm

EI 120 (ve ho i <-> o) S

KTM (male connection) UP (external gaskets), frame 195 mm, with fuse and spring return

KTM-UP - W: frame 195 mm, with fuse, spring return and micro switch (W1 - W2 - W12)

- **W1:** limit switch on closing
- **W2:** limit switch on opening
- **W12:** limit switch opening and closing

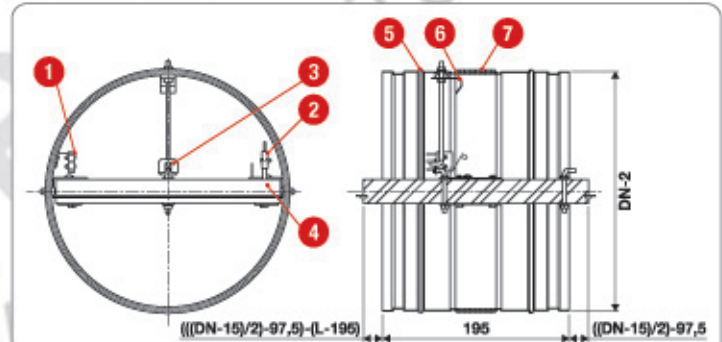
KTM-E24T: with actuator with spring return, thermal fuse and double opening and closing micro limit switch, 24V power supply, male connection, 307 mm frame

KTM-E230T: with servomotor with return spring, thermal fuse and double opening and closing micro limit switch, 230V power supply, male connection, 307 mm frame

Special executions

- Execution in AISI 304/316 stainless steel
- Execution in galvanised steel coated according to the RAL table
- Blade treated with solvent-free, silicate-based impregnating agent, for acidic or very humid environments
- 95°C thermal fuse for motorised version
- Special executions for "cabin/container" metal structures with installation outside the wall
- Additional communication systems (see page 10)

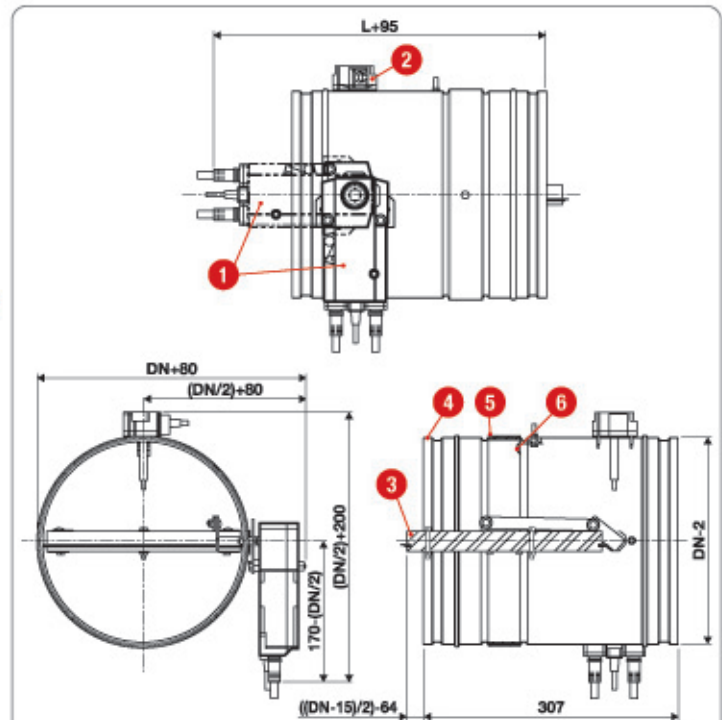
Dimensions KTM



Key:

1. Limit switch (closed blade position)
2. Limit switch (open blade position)
3. Thermal fuse
4. Blade
5. Frame
6. Blade stop
7. Internal and external intumescent gasket

KTM-E dimensions



Key:

1. Electric actuator - horizontal and vertical position
2. Thermo-electric fuse device
3. Blade
4. Frame
5. Internal and external intumescent gasket
6. Blade stop