



- ▶ **VDI 6022 HYGIENIC STANDARD**
- ▶ **CERTIFICATION FOR ASSEMBLY OUTSIDE THE WALL UP TO 1 METRE**

Description

EI 120 S fire damper according to UNI EN 1366-2 classification UNI EN 13501-3 certificate no. 1438-CPR-0509
CE marking - VDI 6022 hygienic certificate

- Construction: Z275 galvanised steel frame th. 10/10 male coupling for direct insertion into the duct, offset blade in calcium silicate mounted on steel shafts and brass bearings, intumescent gasket and perimeter gasket for tightness against cold fumes
- Vertical or horizontal installation
- Leakage Class B of the frame according to EN 1751

Fitted with:

- **Manual version:** with 72°C thermal fuse, spring return and microswitch
- **Motorised version:** actuators with 72°C thermal fuse, spring return, 24V and 230V dual microswitch

- Installations in walls with fire resistance classes EI 120/90/60 with blade installed in the wall or outside
- Ceilings th. 150 mm
- Low density masonry walls (min. 450 Kg/m³) with th. 115 mm
- Plasterboard walls th. 125 mm
- Outside the wall th. 120 mm up to 1 metre (EI 90S)
- Minimum distance wall or duct 10 mm

EI 120 (ve ho i <-> o) S

KTM (male connection) **UP** (external gaskets), frame 195 mm, with fuse and spring return

KTM-UP - W: frame 195 mm, with fuse, spring return and micro switch (W1 - W2 - W12)

- **W1:** limit switch on closing
- **W2:** limit switch on opening
- **W12:** limit switch opening and closing

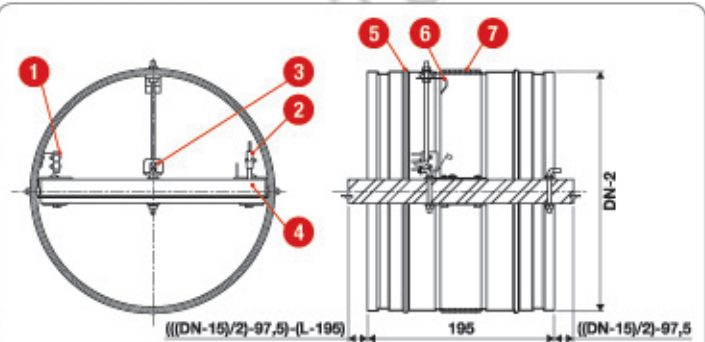
KTM-E24T: with actuator with spring return, thermal fuse and double opening and closing micro limit switch, 24V power supply, male connection, 307 mm frame

KTM-E230T: with servomotor with return spring, thermal fuse and double opening and closing micro limit switch, 230V power supply, male connection, 307 mm frame

Special executions

- Execution in AISI 304/316 stainless steel
- Execution in galvanised steel coated according to the RAL table
- Blade treated with solvent-free, silicate-based impregnating agent, for acidic or very humid environments
- 95°C thermal fuse for motorised version
- Special executions for "cabin/container" metal structures with installation outside the wall
- Additional communication systems (see page 10)

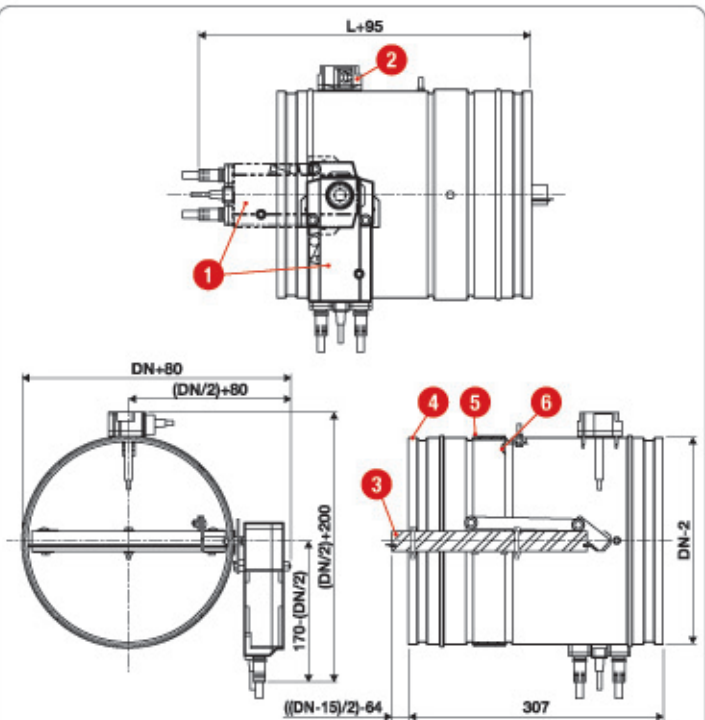
Dimensions KTM



Key:

1. Limit switch (closed blade position)
2. Limit switch (open blade position)
3. Thermal fuse
4. Blade
5. Frame
6. Blade stop
7. Internal and external intumescent gasket

KTM-E dimensions



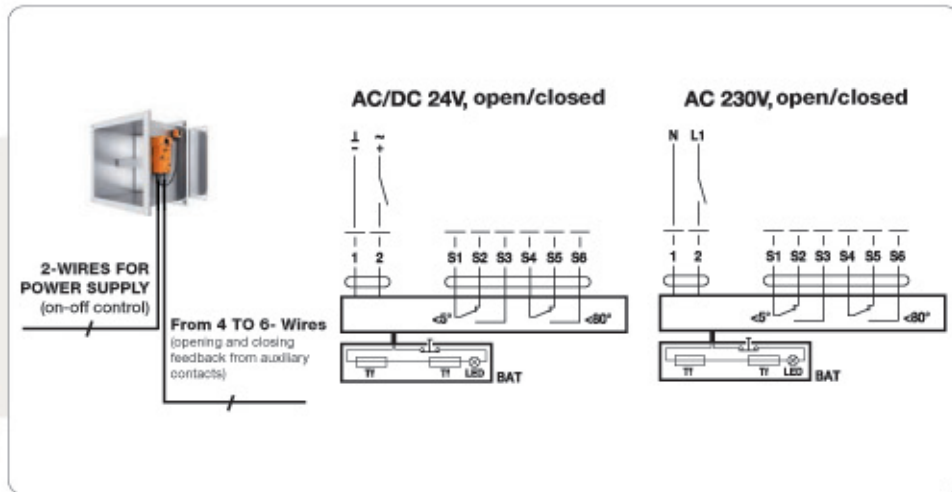
Key:

1. Electric actuator - horizontal and vertical position
2. Thermo-electric fuse device
3. Blade
4. Frame
5. Internal and external intumescent gasket
6. Blade stop

Fire /smoke control damper

Standard actuator

- BFL24-T
- BFN24-T
- BF24-T
- BFL230-T
- BFN230-T
- BF230-T



Control and warning

Actuators:

- All 24V actuators with T-ST extension
- BFL24-T-ST
- BFN24-T-ST
- BF24-T-ST

BKN230-24



Description

- Power supply and communication unit for actuators for 24V fire damper with ST socket
- Built-in status light
- Possible connection to a smoke detector, without additional power supply
- AC 230V power supply

BKS24-1B



Description

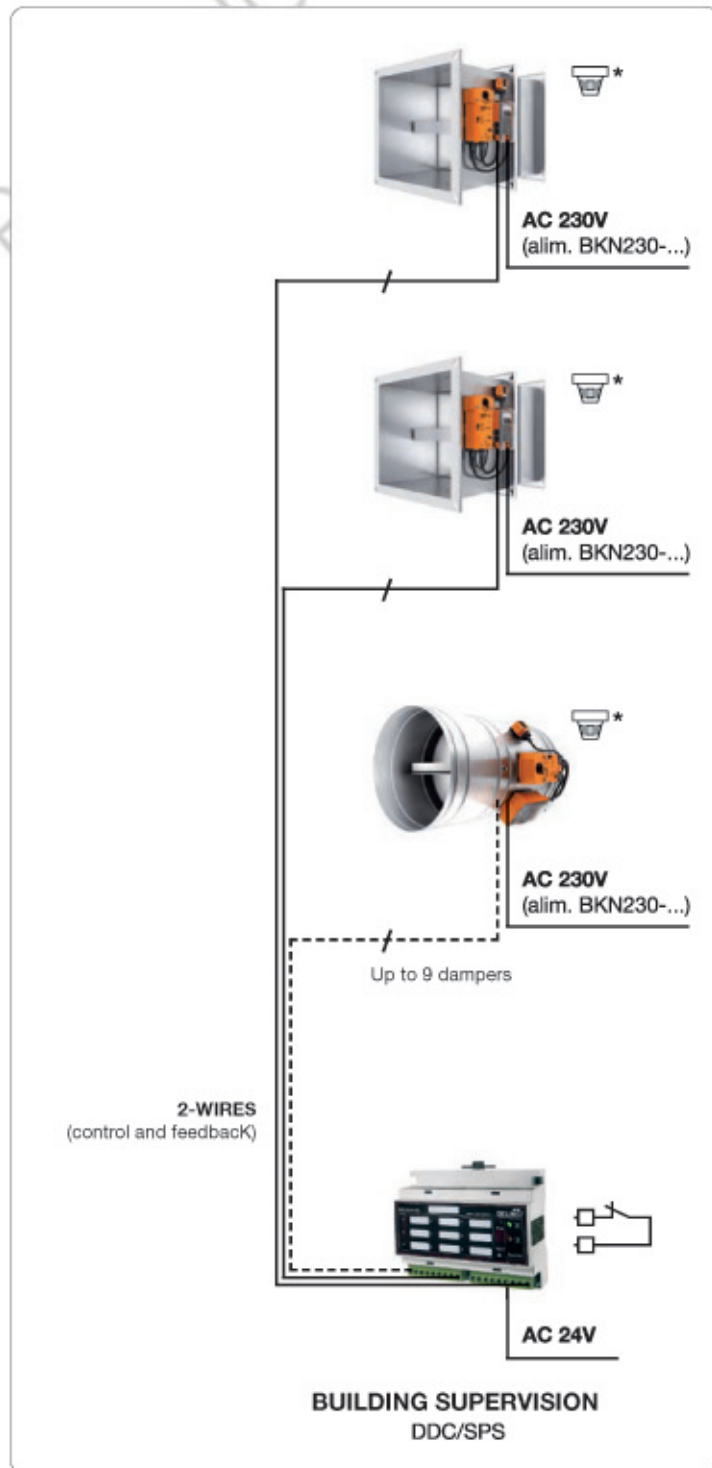
- Communication and control unit for fire damper
- Control and monitoring of 1 damper
- Built-in status light
- ZSO-11 connection base required
- AC 24V power supply

BKS24-9A



Description

- Communication and control unit for fire damper
- Control and monitoring of 9 dampers
- Built-in status light
- Connection plug terminals
- AC 24V power supply





- ▶ **VDI 6022 HYGIENIC STANDARD**
- ▶ **CERTIFICATION FOR ASSEMBLY OUTSIDE THE WALL UP TO 1 METRE**

Description

EI 120 S fire damper according to UNI EN 1366-2 classification UNI EN 13501-3 certificate no. 1438-CPR-0509

CE marking - VDI 6022 hygienic certificate

- Construction: Z275 galvanised steel frame th. 10/10 male coupling for direct insertion into the duct, offset blade in calcium silicate mounted on steel shafts and brass bearings, intumescent gasket and perimeter gasket for tightness against cold fumes
- Vertical or horizontal installation
- Leakage Class B of the frame according to EN 1751

Fitted with:

- **Manual version:** with 72°C thermal fuse, spring return and microswitch
- **Motorised version:** actuators with 72°C thermal fuse, spring return, 24V and 230V dual microswitch

- Installations in walls with fire resistance classes EI 120/90/60 with blade installed in the wall or outside
- Ceilings th. 150 mm
- Low density masonry walls (min. 450 Kg/m³) with th. 115 mm
- Plasterboard walls th. 125 mm
- Outside the wall th. 120 mm up to 1 metre (EI 90S)
- Minimum distance wall or duct 10 mm

EI 120 (ve ho i <-> o) S

KTM (male connection) UP (external gaskets), frame 195 mm, with fuse and spring return

KTM-UP - W: frame 195 mm, with fuse, spring return and micro switch (W1 - W2 - W12)

- **W1:** limit switch on closing
- **W2:** limit switch on opening
- **W12:** limit switch opening and closing

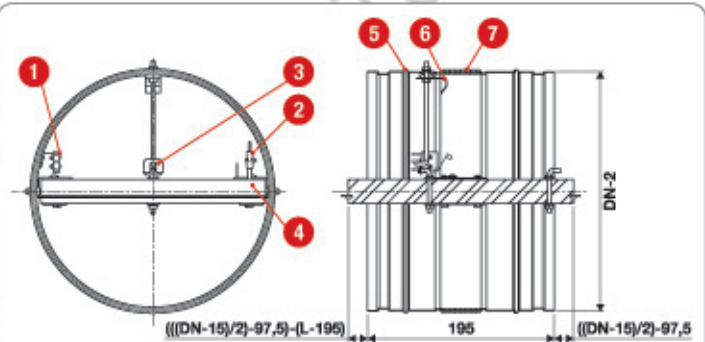
KTM-E24T: with actuator with spring return, thermal fuse and double opening and closing micro limit switch, 24V power supply, male connection, 307 mm frame

KTM-E230T: with servomotor with return spring, thermal fuse and double opening and closing micro limit switch, 230V power supply, male connection, 307 mm frame

Special executions

- Execution in AISI 304/316 stainless steel
- Execution in galvanised steel coated according to the RAL table
- Blade treated with solvent-free, silicate-based impregnating agent, for acidic or very humid environments
- 95°C thermal fuse for motorised version
- Special executions for "cabin/container" metal structures with installation outside the wall
- Additional communication systems (see page 10)

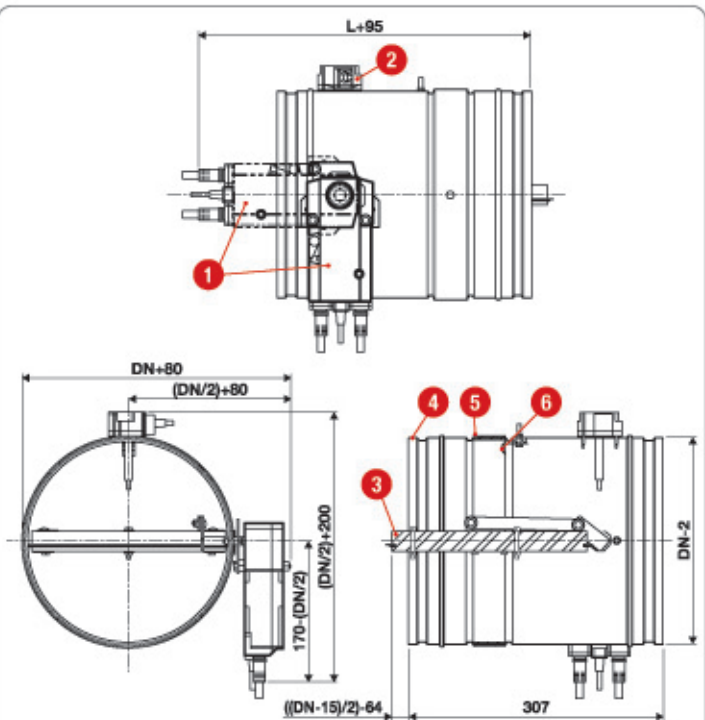
Dimensions KTM



Key:

1. Limit switch (closed blade position)
2. Limit switch (open blade position)
3. Thermal fuse
4. Blade
5. Frame
6. Blade stop
7. Internal and external intumescent gasket

KTM-E dimensions



Key:

1. Electric actuator - horizontal and vertical position
2. Thermo-electric fuse device
3. Blade
4. Frame
5. Internal and external intumescent gasket
6. Blade stop