



Description

GLR50A: air intake/expulsion grille in natural anodised aluminium, blade pitch 50 mm with rainproof profile, including wire mesh

GL50ADL: including damper with front control

GL50ASPD: including gravity outlet damper

GL50ASPS: including gravity intake damper

CT: counterframe

WPLSR: air intake/expulsion grille in aluminium with RAL 9010 coating, circular, blade pitch 30 mm, including wire mesh, screw fastening (excluded)

SZ: galvanised steel grille pitch 50 mm

SZW: like SZ, RAL 9010 coated (list price +20%)

Special versions

GL50A: without wire mesh GLR50A price deduct 7%

GL50AN: natural aluminium. GL50A price deduct 12%

GLR50A: RAL 9005 / 9006 / 9010 coating (list price 100 €/sq m net + 30 € fixed, other RAL colours on request)

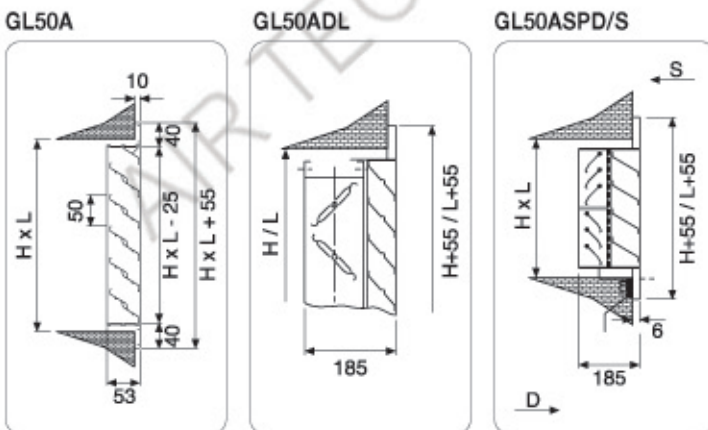
GLR50A selection table

V	ΔPt	LpA
1.0	7	> 20
1.5	16	27
2.0	28	35
2.5	46	43
3.0	66	47
3.5	90	51
4.0	115	54
4.5	150	57
5.0	180	60

V: velocity referring to front section (B-25) x (H-75) m/s

ΔPt: pressure drop in Pa

LpA: sound level pressure, measured in free field at a distance of 2 metres, hemispherical



WPLSR dimensions

MODEL	SIZE	A	B	S	H	WIRE MESH
WPLSR RAL 9010	125	121	181	30	33	1.5 x 1.5
	160	156	216	30	33	
	200	196	256	30	33	
	250	246	306	30	33	
	315	295	375	40	33	6.3 x 6.3

SZ dimensions

MODEL	SIZE	A	B	S	H	WIRE MESH
SZ	400	390	450	30	60	6.3 x 6.3
	500	490	550	30	60	
	630	620	680	30	60	
	800	790	870	40	60	
	1000	990	1070	40	60	

WPLSR / SZ

