

Diffusion



▶ **PRODUCT WITH DECLARATION OF CONFORMITY UNI 9494/2 - 2017 FOR TEMPERATURES UP TO 722 °C**

Description

GLR50: galvanised steel air intake/expulsion grille, blades pitch 50 mm with rainproof profile, including wire mesh

GL50DL: including damper with front control

GL50SPD: including gravity outlet damper

GL50SPS: including gravity intake damper

CT: wall counterframe

Special versions

• frame holes pitch 600mm (list price +10%)

GL50: without wire mesh

GLR50 price (list price -4%)

GLX50: made of AISI 304 stainless steel (list price x 2.5)

GLXX50: made of AISI 316 stainless steel (list price x 3)

...EH: heating cables on wire mesh or frame

GLR50: RAL 9005 / 9006 / 9010 coating (list price 100 €/sq m net + 30 € fixed, other RAL colours on request)

Selection table

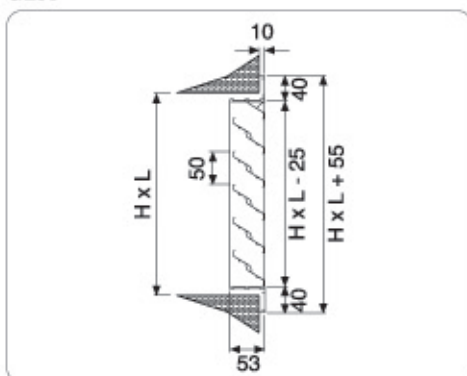
V	ΔPt	LpA
1.0	7	> 20
1.5	16	27
2.0	28	35
2.5	46	43
3.0	66	47
3.5	90	51
4.0	115	54
4.5	150	57
5.0	180	60

V: velocity referring to front section (B-25) x (H-75) m/s

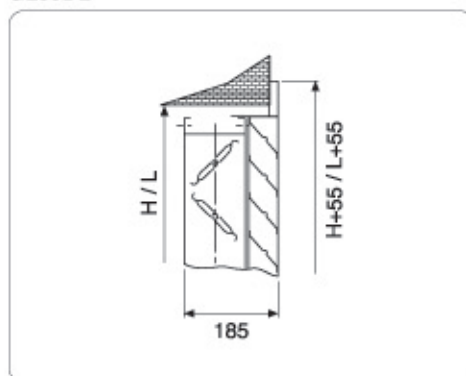
ΔPt: pressure drop in Pa

LpA: sound level pressure, measured in free field at a distance of 2 metres, hemispherical

GL50



GL50DL



GL50SPD/S

