



Description

GHR100A: air intake/expulsion grille in natural anodised aluminium blades pitch 100 mm with rainproof profile, including wire mesh

GAO100: like GHR100A but with adjustable blades

GH100ADL: including damper with front control

GH100ASPD: including gravity outlet damper

GH100ASPS: including gravity intake damper

CT: counterframe

- non-perforated flanges

Special versions

GH100A: without wire mesh
GHR100A price decrease by 7%

GH100AN: natural aluminium
GH100A price decrease by 12%

GHR100A: RAL 9005 / 9006 / 9010 coating (list price 100 €/sqm net + 30 € fixed, other RAL colours on request)

Selection table

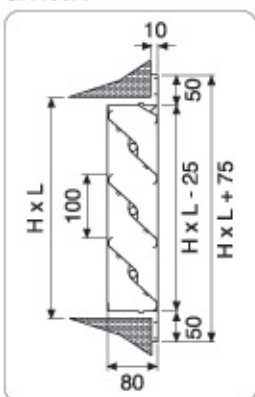
V	ΔPt	LpA
1.0	7	> 20
1.5	16	22
2.0	28	30
2.5	46	36
3.0	64	42
3.5	88	46
4.0	113	49
4.5	145	53
5.0	170	56

V: velocity referring to front section (B-25) x (H-125) m/s

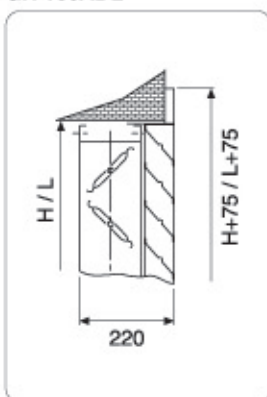
ΔPt: pressure drop in Pa

LpA: sound level pressure, measured in free field at a distance of 2 metres, hemispherical

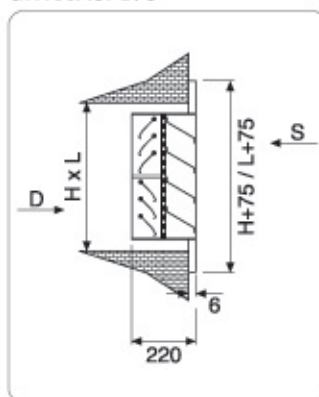
GH100A



GH 100ADL



GH100ASPD/S



GAO100

