

GHR100



• **PRODUCT WITH DECLARATION OF CONFORMITY UNI 9494/2 - 2017 FOR TEMPERATURES UP TO 722 °C**

Description

GHR100: galvanised steel air intake/expulsion grille, blades pitch 100 mm with rainproof profile and wire mesh

GH100DL: including damper with front control

GH100SPD: including gravity outlet damper

GH100SPS: including gravity intake damper

CT: wall/duct counterframe

• perforated flanges Ø8 pitch 600 (list price +10%)

Special versions

GH100: without wire mesh

GHR100 price (list price -4%)

GHX100: made of AISI 304 stainless steel (list price x 2.5)

GHXX100: made of AISI 316 stainless steel (list price x 3)

...EH: heating cables on wire mesh or frame

GHR100: RAL 9005 / 9006 / 9010 coating (list price 100 €/sq m net + 30 € fixed, other RAL colours on request)

Selection table

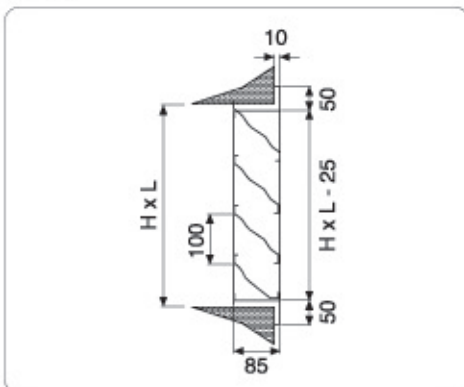
V	ΔPt	LpA
1.0	7	17
1.5	16	25
2.0	28	30
2.5	46	35
3.0	64	39
3.5	88	42
4.0	113	44
4.5	145	47
5.0	170	50

V: velocity referring to front section (B-25) x (H-125) m/s

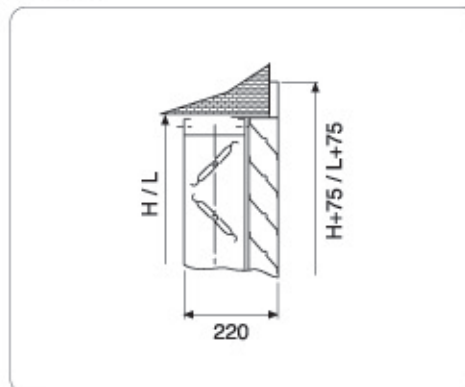
ΔPt: pressure drop in Pa

LpA: sound level pressure, measured in free field at a distance of 2 metres, hemispherical

GHR100



GH100DL



GH100SPD/S

