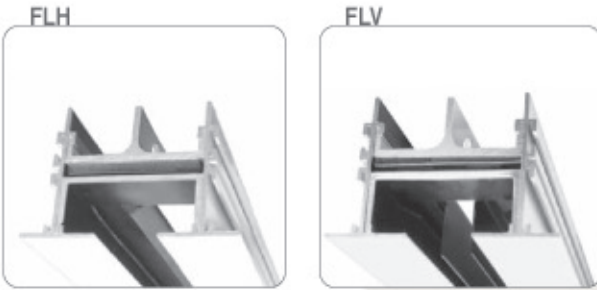


Diffusion



Description

FLH...BBC: slot diffuser with special flush-fit profile, suitable for installation in plasterboard false ceilings so only the slot is visible

- made of sturdy extruded aluminium profiles with double deflectors coated in black RAL 9005 to direct and balance the air flow
- optional wall installation
- maximum length for individual piece 2000 mm with ends
- continuous version with joint and terminal profiles at the ends
- various profiles and types of fastening to meet architectural needs

FLCMB: fastening bracket from the room

- optional rounded version

FLH 10 slot 25 mm
 FLH 15 slot 38 mm
 FLH 20 slot 51 mm
 FLH 30 slot 76 mm

FLV...BBC: like FLH but for long throws both wall and ceiling

Accessories

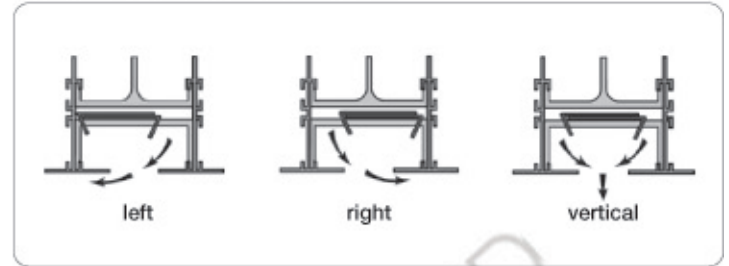
PL: side entry plenum
PT: plenum with rear entry
I: external anti-condensate insulation reaction to fire class B-s2-d0
S: damper on plenum entry
TA: acoustic louver

- corner pieces
- suspension and closure systems

Option to customise the fastenings and plenum heights



FLH: possibility of throw from ceiling



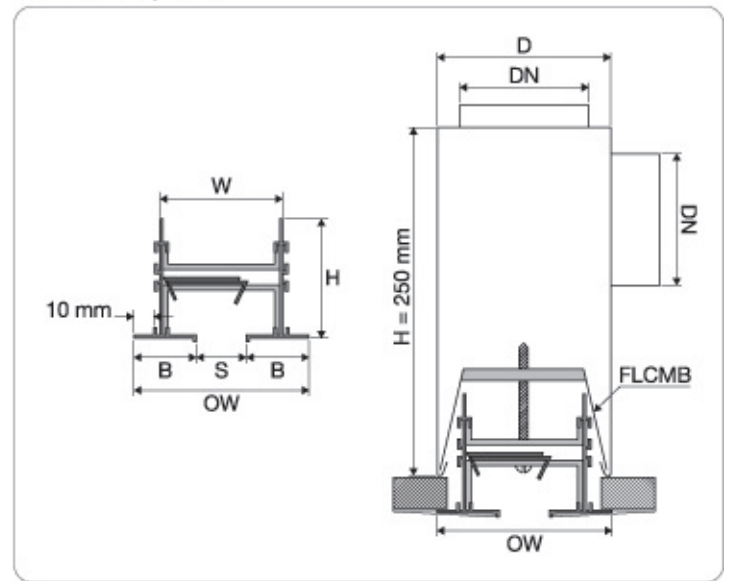
FLV: vertical throw version - wall



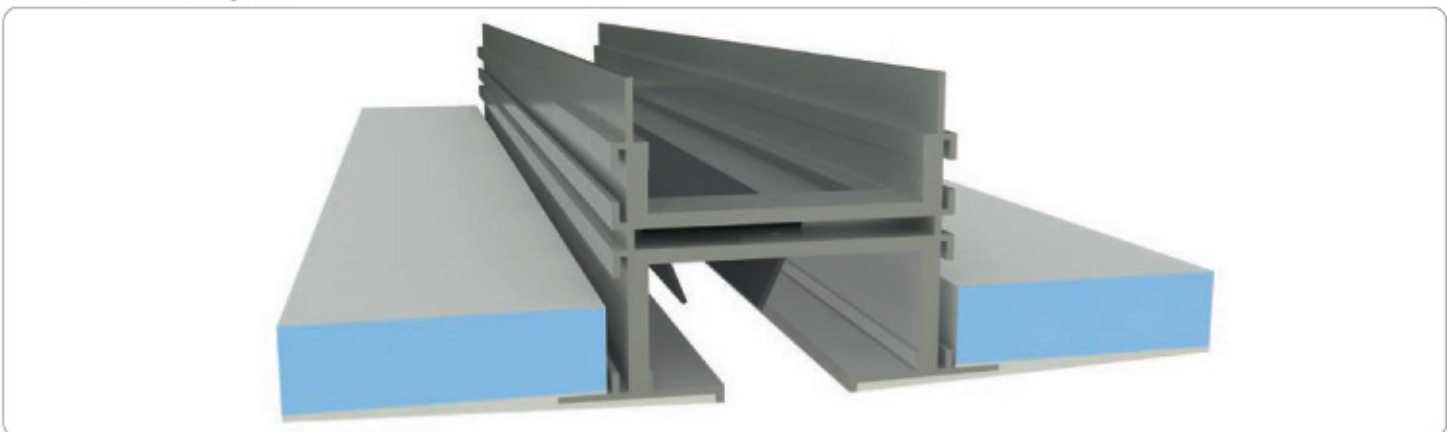
Dimensions

TYPE	S	B	OW	W	H	D
FLH 10	25	39	103	76	67	101
FLH 15	38	39	116	89	67	114
FLH 20	51	39	129	102	67	127
FLH 30	76	39	154	127	67	152

BBC flush-fit profile



Flush-fit installation layout



Flow rate table for L=1000 mm

Model	Slot Size / Connection	1000 mm	Flow rate m³/h													
			57	115	170	230	280	340	400							
FLH 10	Slot 25 mm Connection DN 150 mm	1000 mm	Flow rate m³/h	57	115	170	230	280	340	400						
			Pt (Pa)	2	8	16	29	45	65	87						
			Pst (Pa)	1	5	10	19	29	42	56						
			NC	<15	<15	<15	17	25	32	38						
FLH 15	Slot 38 mm Connection DN 200 mm	1000 mm	Flow rate m³/h	100	170	240	310	360	450	520						
			Pt (Pa)	4	9	19	31	51	67	94						
			Pst (Pa)	3	7	15	25	42	55	77						
			NC	<15	<15	<15	22	30	36	44						
FLH 20	Slot 51 mm Connection DN 200 mm	1000 mm	Flow rate m³/h	140	210	280	350	420	500	560						
			Pt (Pa)	4	8	10	23	34	46	60						
			Pst (Pa)	2	5	10	15	22	30	39						
			NC	<15	<15	<15	15	22	30	37						
FLH 30	Slot 76 mm Fittings 2 x DN 150 mm	1000 mm	Flow rate m³/h	280	390	500	650	700	800	900						
			Pt (Pa)	7	12	20	30	41	55	70						
			Pst (Pa)	4	8	13	19	26	35	44						
			NC	<15	<15	18	22	28	34	40						
Throw (m) Vt 0.5/0.25 m/s			0.6	1.5	1.8	3.7	2.7	4.6	3.7	5.2	3.7	5.5	4.6	6.1	4.9	6.7
Throw (m) Vt 0.5/0.25 m/s			1.5	3.4	2.7	4.6	4	5.5	4.6	6.4	5.2	7	5.8	7.6	6.1	7.9
Throw (m) Vt 0.5/0.25 m/s			1.2	3.4	2.7	4.3	3.7	5.2	4	5.8	4.3	7	7.6	8.2	5.2	8.5
Throw (m) Vt 0.5/0.25 m/s			4	6.1	4.6	7.3	5.8	8.2	6.4	9.1	7	9.8	7.3	10.7	7.9	11.3

Key:

- 1) data with uninsulated plenum
- 2) throw with terminal isothermal velocity 0.5 or 0.25 m/s
- 3) NC with ambient attenuation 10 dB
- 4) 1-way throw, for 2-way throw consider half the flow
- 5) data taken from tests performed in accordance with the ANSI/ASHRAE standard 70-191
- 6) the pressure drop values to consider are: Pst (Pa)

Suspension systems

Type GG: flush-fit frame without frame

Bracket HC1

The HC1 bracket can be used for "Flow Line" installation with "GG" profile

Type AA: ceiling/wall

Bracket WC1

The WC1 bracket can be used for "Flow Line" system with "AA" edge

Type GG: profile without "stop"

Typical T-BAR suspension system

6 mm

44 mm or 41 mm

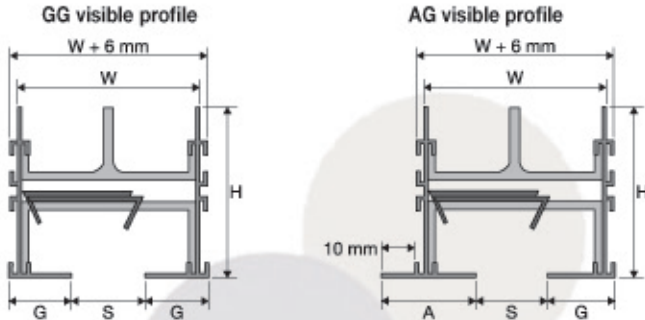
14 mm

8 mm

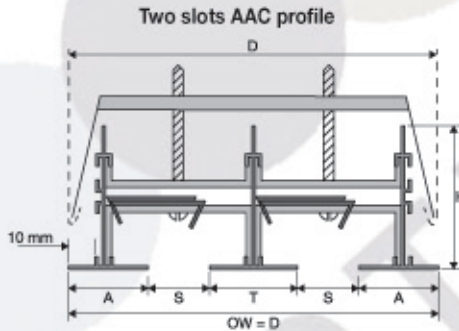
Bracket TC2

TC2 bracket for "threadline" / "Fineline T-BAR" suspension systems

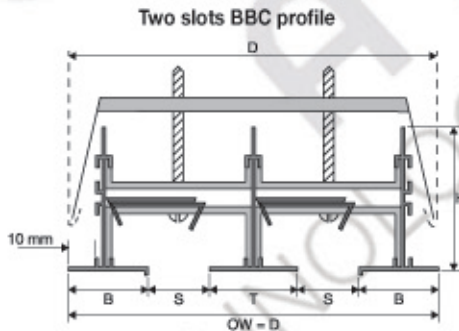
Other profiles



TYPE	S	W	A	G	H
FLH 10	25	64	33	22	60
FLH 15	38	89	39	29	67
FLH 20	51	114	45	35	73
FLH 30	76	165	58	48	86



TYPE	S	D	A, B	T	H
FLH 10	25	152	33	37	60
FLH 15	38	203	39	49	67
FLH 20	51	254	45	62	73
FLH 30	76	356	58	87	86



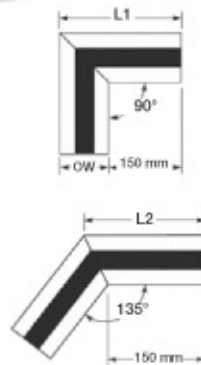
Accessories

Angles:

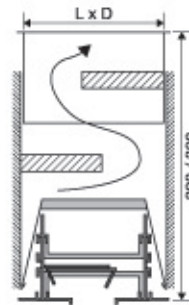
- FLMC10 = 25 mm
- FLMC15 = 38 mm
- FLMC20 = 51 mm
- FLMC30 = 76 mm

No. slots	Slot	Edge AA, BB	
		L1	L2
1	25	241	188
	38	266	198
	51	292	209
	76	342	230

OTHER ANGLES ON REQUEST



Acoustic louver



SOUND ATTENUATION								
Hz	63	125	250	500	1K	2K	4K	8K
dB	4	8	15	20	22	21	17	11

Closures:

- FLBO10 = 25 mm
- FLBO15 = 38 mm
- FLBO20 = 51 mm
- FLBO30 = 76 mm

Type O



Standard end

