

DVZ



• **PRODUCT WITH DECLARATION OF CONFORMITY UNI 9494/2 - 2017 FOR TEMPERATURES UP TO 200 °C**

### Description

**DVZ:** high induction diffuser

- installation height between 3 and 8 m
- variable throw due to the combined action between the fixed blades (1), central jet (2) and flow regulator (3) which can be manually controlled from the room or via an electric or thermostatic actuator
- equaliser
- made of aluminium with RAL 9010 finish

### Accessories

R1: proportional actuator 0÷10V, 24V

R2: on/off actuator - 24V

PL: side entry plenum

I: external insulation reaction to fire class B-s2-d0

S: damper on entry 160/315 €20 - 400/630 €45

DVZ-ATS: thermostatic actuator

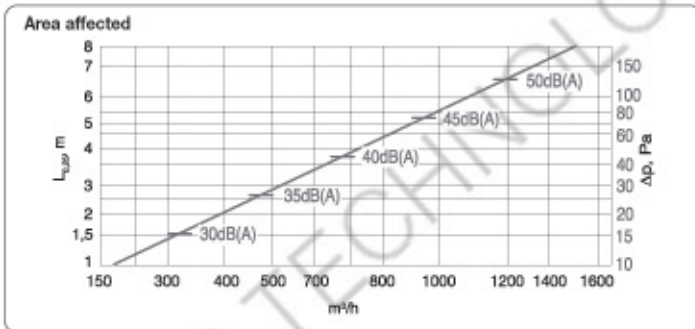
### Special versions

DGV...T: including 596x596 panel for installation on false ceiling

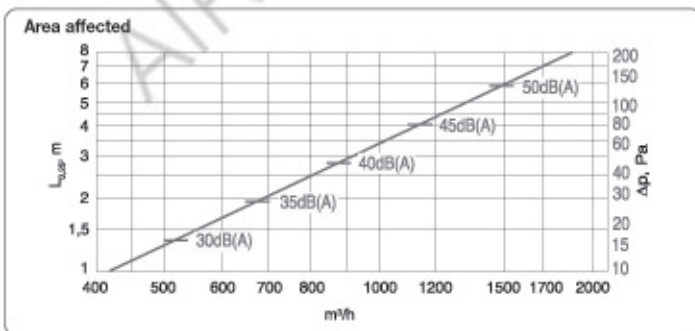
VR: coating according to RAL 9005 / 9006 table  
fixed surcharge €30 + 20% per piece

Other RAL colours on request

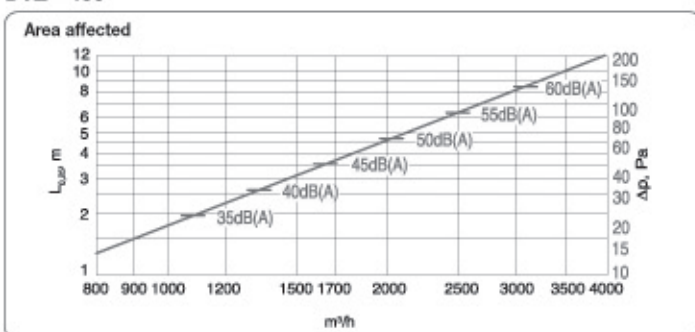
### DVZ - 250



### DVZ - 315



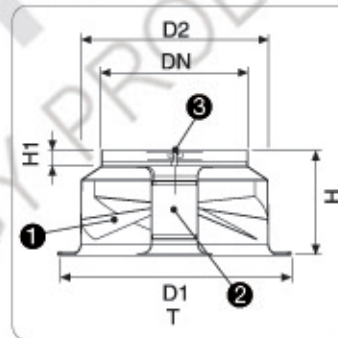
### DVZ - 400



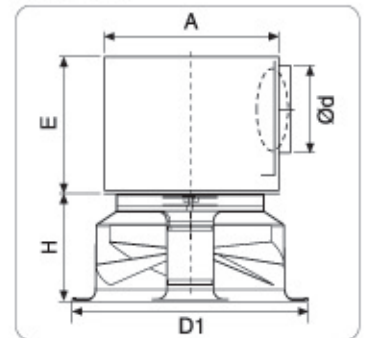
### Dimensions

DN	D1	D2	H	H1	T	d	A	E
250	400	298	205	40	596	248	350	350
315	500	398	230	40	596	313	400	400
400	615	465	270	60	596	398	500	500
500	780	565	320	60	-	498	600	600
630	935	665	390	80	-	600	730	730
800	1130	900	557	75	-	600	900	900

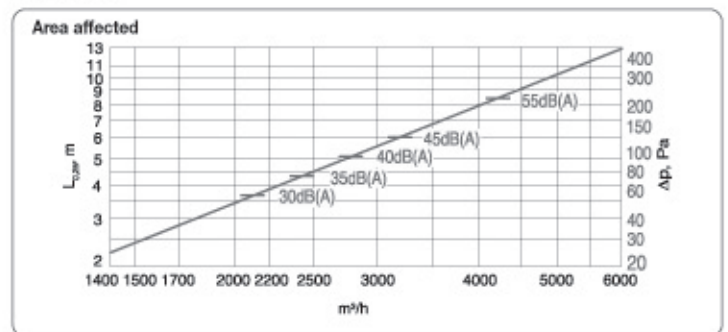
### DVZ - DVZ-T



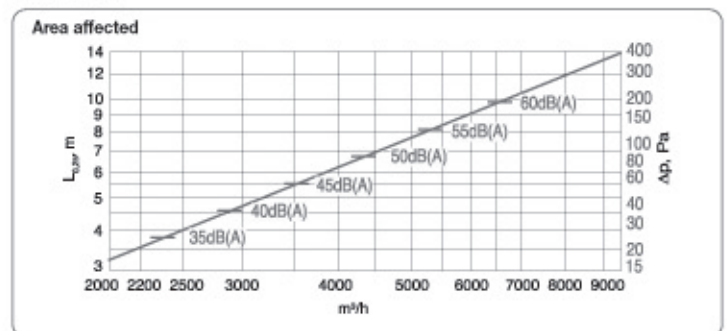
### DVZ - PLS



### DVZ - 500



### DVZ - 630



Flow, pressure drop and sound level pressure.

Max Δt in heating + 15k.

L 0.25= vertical throw with terminal velocity 0.25 m/s.

Sound level pressure with 4 dB(A) of room attenuation during cooling with central section closed, increase the noise by 4dB(A).