

Air flow control

**DLC-T-E**



### Description

- DLC-T:** galvanised steel frame th. (see table)
- galvanised steel blade
  - outer silicone seal applied on the blade
  - Drive shaft  $\varnothing$  8 / 12 mm (see table)
  - bronze bearings for shafts  $\varnothing$  8 mm (-50°C / +200°C)
  - Nylon bearings for shafts  $\varnothing$  12 mm (-20°C / +70°C)
  - Leakage class 4/B EN 1751 up to 2000 Pa
  - DIN 1946/4

### Available execution (see page 11)

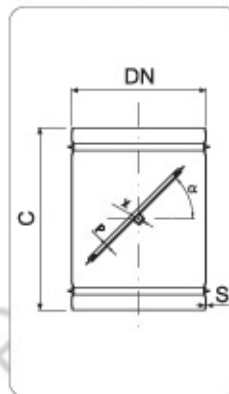
- Intermediate dimensions (larger sizes price list +€52)
- In AISI 304 stainless steel (list price x3)
- In AISI 316L stainless steel (list price x4)
- Frame special dim. <500 mm (list price +30%)
- 8 mm casing return (list price +15%)

**DLCTE:** like DLCT but with pair of external gaskets for duct assembly  
**ATEX execution:** II 2G Ex h IIB/IIC T1...T6Gb  
 II 2D Ex h IIIC T 450°C...T 85°C Db (on request)

### Accessories (see page 10)

- Manual drive (R9 shaft  $\varnothing$  8 mm list price €5)  
 (R11 shaft  $\varnothing$  12 mm list price €15)
- Electric actuators/ Pneumatic cylinder
- Atex actuators (see page 12)

### Dimensions



DN [mm]	C [mm]	S [mm]	ØX [mm]	P [mm]
100	200	0.8	8	0.8
125	200	0.8	8	0.8
160	200	0.8	8	0.8
200	200	0.8	8	0.8
250	200	0.8	8	0.8
300	300	1.0	12	1.2
315	300	1.0	12	1.2
355	300	1.0	12	1.2
400	400	1.2	12	1.5
450	400	1.2	12	1.5
500	400	1.2	12	1.5
560	400	1.5	12	2.0
630	400	1.5	12	2.0

## Circular damper for “heavy-duty” use

**SRCZ**

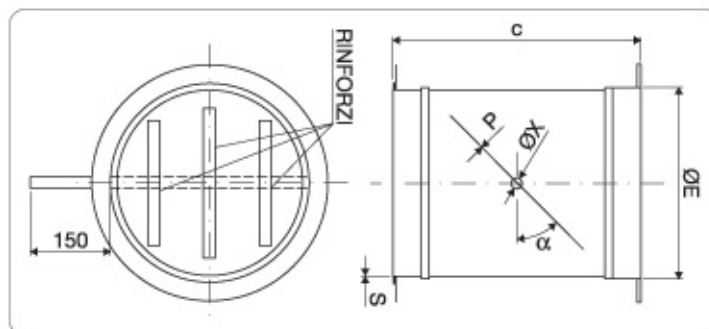


### Description

- SRCZ:** Galvanised steel frame th. 2 mm
- galvanised steel blade th. 2 mm
  - metal perimeter seal
  - for drive shaft diameter (see table)
  - bronze bearings (-50°C / +200°C)
  - flanges in black rustproof painted plate, not drilled

### Available execution (see page 11)

- Intermediate dimensions (larger sizes price list +€52)
- Flange holes according to Eurovent (list price +€52)
- Special flanges (list price +52 €)
- Version with riveted and welded blade (list price +€52)
- Frame special dim. <500 mm (list price + 30%)
- Produced with th. 3/4/5 mm (on request)
- In AISI 304 stainless steel (list price x2)
- In AISI 316L stainless steel (list price x3)
- R12 galvanised manual drive  $\varnothing$  12 mm (list price €20 each)
- R12 galvanised manual drive  $\varnothing$  18 mm (list price € 28 each)
- Electric actuators/ Pneumatic cylinder
- Atex actuators (see page 12)



Air flow control

## ZONE 1

### Spring return 24-230V

	Zone 1		Opening	Closing
	Model	Torque (Nm)	Motor running time (seconds)	Spring return (seconds)
ON-OFF, 3 points, 2 micro switches	EX MAX 5.10 - SF	5-10	3/15/30/60/120	3 - 10
ON-OFF, 3 points, 2 micro switches	EX MAX 15 - SF	15	3/15/30/60/120	3 - 10
ON-OFF, 3 points, 2 micro switches	EX MAX 30 - SF	30	40/60/90/120/150	20
ON-OFF, 3 points, 2 micro switches	EX MAX 50 - SF	50	40/60/90/120/150	20

### Modulating spring return 24-230V

	Zone 1		Opening	Closing
	Model	Torque (Nm)	Motor running time (seconds)	Spring return (seconds)
3 POINTS, 0...10 Volt 4...20 m	EX MAX 5.10 - YF	5-10	7.5/15/30/60/120	3 - 10
3 POINTS, 0...10 Volt 4...20 m	EX MAX 15 - YF	15	7.5/15/30/60/120	3 - 10
3 POINTS, 0...10 Volt 4...20 m	EX MAX 30 - YF	30	40/60/90/120/150	20
3 POINTS, 0...10 Volt 4...20 m	EX MAX 50 - YF	50	40/60/90/120/150	20

### Spring return 24-230V - Offshore - Closure in 1 second

	Zone 1		Opening	Closing
	Model	Torque (Nm)	Motor running time (seconds)	Spring return (seconds)
ON-OFF, 2 micro switches	EX MAX 8 - SF1	8	3/15/30/60/120	1
ON-OFF, 2 micro switches	EX MAX 15 - SF1	15	3/15/30/60/120	1

### Spring return 24-230V - Offshore - Closure in 3 seconds

	Zone 1		Opening	Closing
	Model	Torque (Nm)	Motor running time (seconds)	Spring return (seconds)
ON-OFF, 2 micro switches	EX MAX 30 - SF3	30	40/60/90/120/150	3
ON-OFF, 2 micro switches	EX MAX 50 - SF3	50	40/60/90/120/150	3

Actuators assembled, square drive shaft and FAT

## ZONE 2

### Spring return 24-230V

	Zone 2		Opening	Closing
	Model	Torque (Nm)	Motor running time (seconds)	Spring return (seconds)
ON-OFF, 3 points, 2 micro switches	RED MAX 5.10 - SF	5-10	3/15/30/60/120	3 - 10
ON-OFF, 3 points, 2 micro switches	RED MAX 15 - SF	15	3/15/30/60/120	3 - 10
ON-OFF, 3 points, 2 micro switches	RED MAX 30 - SF	30	40/60/90/120/150	20
ON-OFF, 3 points, 2 micro switches	RED MAX 50 - SF	50	40/60/90/120/150	20

### Modulating spring return 24-230V

	Zone 2		Opening	Closing
	Model	Torque (Nm)	Motor running time (seconds)	Spring return (seconds)
3 POINTS, 0...10 Volt 4...20 m	RED MAX 5.10 - YF	5-10	7.5/15/30/60/120	3 - 10
3 POINTS, 0...10 Volt 4...20 m	RED MAX 15 - YF	15	7.5/15/30/60/120	3 - 10
3 POINTS, 0...10 Volt 4...20 m	RED MAX 30 - YF	30	40/60/90/120/150	20
3 POINTS, 0...10 Volt 4...20 m	RED MAX 50 - YF	50	40/60/90/120/150	20

### Spring return 24-230V - Offshore - Closure in 1 second

	Zone 2		Opening	Closing
	Model	Torque (Nm)	Motor running time (seconds)	Spring return (seconds)
ON-OFF, 2 micro switches	RED MAX 8 - SF1	8	3/15/30/60/120	1
ON-OFF, 2 micro switches	RED MAX 15 - SF1	15	3/15/30/60/120	1

### Spring return 24-230V - Offshore - Closure in 3 seconds

	Zone 2		Opening	Closing
	Model	Torque (Nm)	Motor running time (seconds)	Spring return (seconds)
ON-OFF, 2 micro switches	RED MAX 30 - SF3	30	40/60/90/120/150	3
ON-OFF, 2 micro switches	RED MAX 50 - SF3	50	40/60/90/120/150	3

Air flow control

## ZONE 1 Spring return 24-230V

	Zone 1		Opening	Closing
	Model	Torque (Nm)	Motor running time (seconds)	Spring return (seconds)
ON-OFF, 3 points, 2 micro switches	EX MAX 5.10 - SF	5-10	3/15/30/60/120	3 - 10
ON-OFF, 3 points, 2 micro switches	EX MAX 15 - SF	15	3/15/30/60/120	3 - 10
ON-OFF, 3 points, 2 micro switches	EX MAX 30 - SF	30	40/60/90/120/150	20
ON-OFF, 3 points, 2 micro switches	EX MAX 50 - SF	50	40/60/90/120/150	20

## Modulating spring return 24-230V

	Zone 1		Opening	Closing
	Model	Torque (Nm)	Motor running time (seconds)	Spring return (seconds)
3 POINTS, 0...10 Volt 4...20 m	EX MAX 5.10 - YF	5-10	7.5/15/30/60/120	3 - 10
3 POINTS, 0...10 Volt 4...20 m	EX MAX 15 - YF	15	7.5/15/30/60/120	3 - 10
3 POINTS, 0...10 Volt 4...20 m	EX MAX 30 - YF	30	40/60/90/120/150	20
3 POINTS, 0...10 Volt 4...20 m	EX MAX 50 - YF	50	40/60/90/120/150	20

## Spring return 24-230V - Offshore - Closure in 1 second

	Zone 1		Opening	Closing
	Model	Torque (Nm)	Motor running time (seconds)	Spring return (seconds)
ON-OFF, 2 micro switches	EX MAX 8 - SF1	8	3/15/30/60/120	1
ON-OFF, 2 micro switches	EX MAX 15 - SF1	15	3/15/30/60/120	1

## Spring return 24-230V - Offshore - Closure in 3 seconds

	Zone 1		Opening	Closing
	Model	Torque (Nm)	Motor running time (seconds)	Spring return (seconds)
ON-OFF, 2 micro switches	EX MAX 30 - SF3	30	40/60/90/120/150	3
ON-OFF, 2 micro switches	EX MAX 50 - SF3	50	40/60/90/120/150	3

Actuators assembled, square drive shaft and FAT

## ZONE 2 Spring return 24-230V

	Zone 2		Opening	Closing
	Model	Torque (Nm)	Motor running time (seconds)	Spring return (seconds)
ON-OFF, 3 points, 2 micro switches	RED MAX 5.10 - SF	5-10	3/15/30/60/120	3 - 10
ON-OFF, 3 points, 2 micro switches	RED MAX 15 - SF	15	3/15/30/60/120	3 - 10
ON-OFF, 3 points, 2 micro switches	RED MAX 30 - SF	30	40/60/90/120/150	20
ON-OFF, 3 points, 2 micro switches	RED MAX 50 - SF	50	40/60/90/120/150	20

## Modulating spring return 24-230V

	Zone 2		Opening	Closing
	Model	Torque (Nm)	Motor running time (seconds)	Spring return (seconds)
3 POINTS, 0...10 Volt 4...20 m	RED MAX 5.10 - YF	5-10	7.5/15/30/60/120	3 - 10
3 POINTS, 0...10 Volt 4...20 m	RED MAX 15 - YF	15	7.5/15/30/60/120	3 - 10
3 POINTS, 0...10 Volt 4...20 m	RED MAX 30 - YF	30	40/60/90/120/150	20
3 POINTS, 0...10 Volt 4...20 m	RED MAX 50 - YF	50	40/60/90/120/150	20

## Spring return 24-230V - Offshore - Closure in 1 second

	Zone 2		Opening	Closing
	Model	Torque (Nm)	Motor running time (seconds)	Spring return (seconds)
ON-OFF, 2 micro switches	RED MAX 8 - SF1	8	3/15/30/60/120	1
ON-OFF, 2 micro switches	RED MAX 15 - SF1	15	3/15/30/60/120	1

## Spring return 24-230V - Offshore - Closure in 3 seconds

	Zone 2		Opening	Closing
	Model	Torque (Nm)	Motor running time (seconds)	Spring return (seconds)
ON-OFF, 2 micro switches	RED MAX 30 - SF3	30	40/60/90/120/150	3
ON-OFF, 2 micro switches	RED MAX 50 - SF3	50	40/60/90/120/150	3