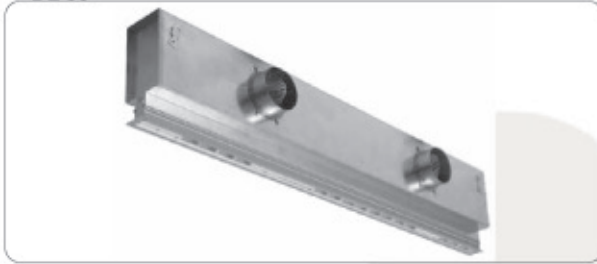


Diffusion

DL 55



Description

- DL55:** linear diffuser with slot in natural anodised aluminium
- air flow adjustable to 180° in 100 mm sectors
 - deflectors in antistatic plastic (black, white, grey)
 - 1 to 4 slots available
 - max length per element L=2000
 - $\Delta T = \pm 10^\circ C$
 - installation height between 2.7 / 4.5 m

DL55B: like DL55, without deflectors (list price -10%)

Accessories

- PL:** galvanised steel plenum with side entry
- S:** damper on plenum entry (list price €20/each)
- AF:** acoustic insulation
- I:** external anti-condensate insulation fire-resistance class B-s2-d0
- standard fastening, diffuser/plenum with brackets and screws

Special versions

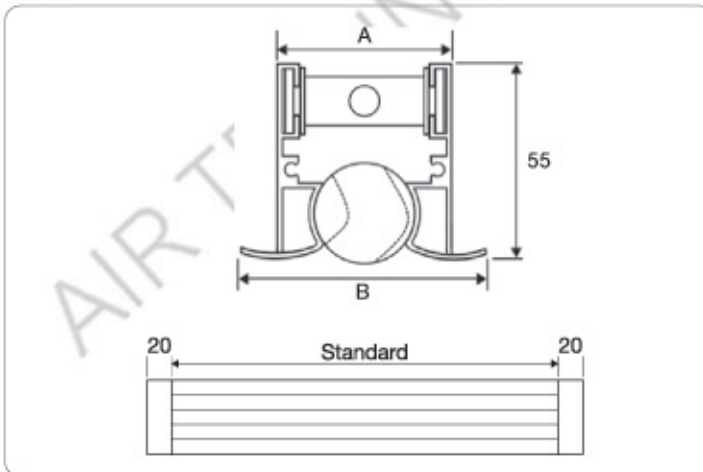
- plenum in other sizes and entries
- W:** RAL 9010 coating (list price +20%)
- VR:** coating according to RAL 9005 / 9006 table fixed surcharge €30 + 20% per piece

Other RAL colours on request

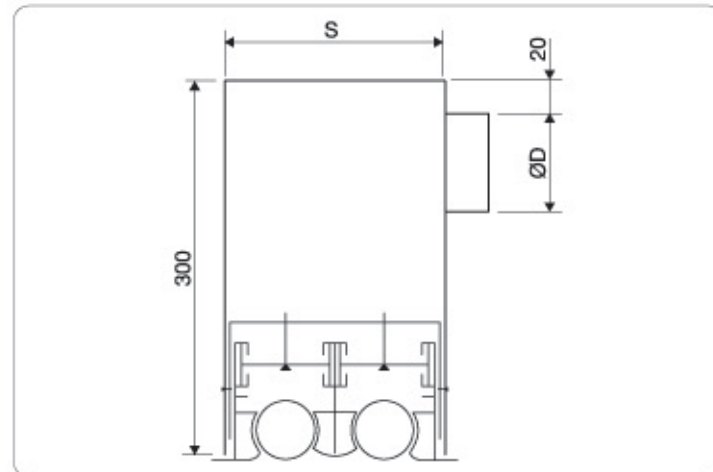
DL 55 dimensions

No. slots	Length	Ø and no. of fittings	A	B	S
1	1000	100-1	51	73	56
	1500	100-2			
	2000	100-3			
2	1000	160-2	102	124	107
	1500	160-3			
	2000	160-4			
3	1000	200-2	153	175	158
	1500	200-3			
	2000	200-4			
4	1000	200-2	204	226	209
	1500	200-3			
	2000	200-4			

DL 55



PL



Selection table for L = 1000 - Vt 0.2 m/s

No. slots	AK m²	Flow rate (m³/h)																	
		80		100		150		200		250		300		400		500		600	
1	0.013	12		18		30		38		44									
		1.7	10	2.1	15	3.2	30	4.2	49	5.3	70								
2	0.026			5		16		24		30		35		43		49			
				1	5	1.3	6	2.1	11	2.7	16	3.2	23	4.2	40	5.3	60		
3	0.039							14		20		25		33		39		44	
								1.4	6	1.8	9	2.1	12	2.8	24	3.5	35	3.6	50
4	0.052	LwA	LT					8		14		20		28		34		40	
		Vk	Δp Pa					1	4	1.4	5	1.6	6	2.1	12	2.7	18	3.2	28

LwA = sound pressure level dB(A)

LT = 0.2 m/s, Vt, unidirectional

Correction factor for bidirectional throw = L x 0.64

Vk = velocity in m/s

Δp Pa = pressure drop in Pascal