

Diffusion



Description

- BF:** Linear aluminium diffusers with slot
- slot width 20.5 mm
 - optional supply of 1 to 5 slots and continuous assembly with multiple elements
 - suitable for operation with $\Delta t \pm 10^\circ$
 - outer edge reduced to 14.8 mm
 - maximum length per element $L = 2000$ mm
 - standard fastening with concealed M6 screws and c-bracket
 - made of natural anodised aluminium
 - 2 x adjustable deflectors per natural anodised aluminium slot

Accessories

- S:** volume control damper on plenum (list price €20/each)
T: pair of end elements
PL: side entry plenum
PLI: but with external insulation and reaction to fire class B-s2-d0
 Circular/oval entries instead of standard (price list €30/each)

Special versions

- Borderless $B1=A$ (list price +30% per m)
- W:** RAL 9010 coating (same price as BF)
- VR:** RAL 9005/9006 coating (same price as BF)

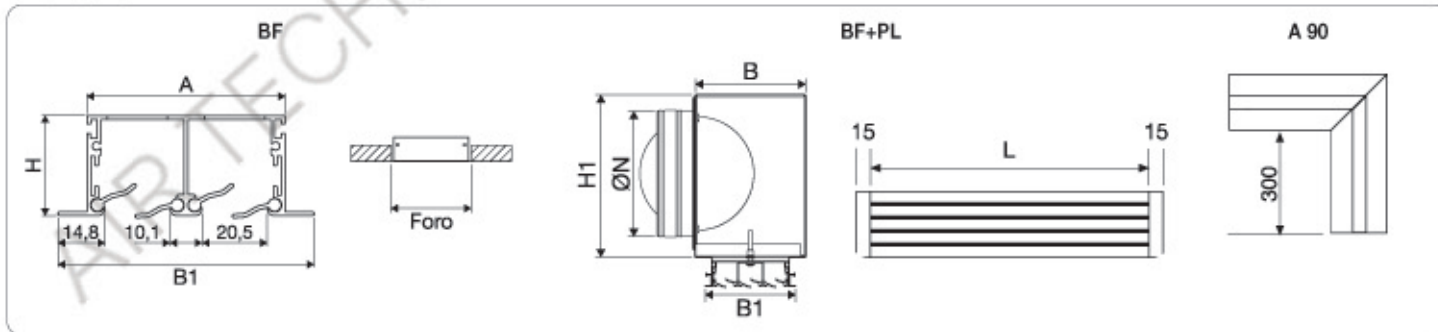
1 x INTAKE UP TO L=1600

BF dimensions

No. slots	A	B1	H	HOLE
1	31.8	50.1	31.5	38
2	62.4	80.7	31.5	68
3	93.0	111.3	31.5	99
4	123.6	141.9	31.5	130
5	154.2	172.5	31.5	160

No. slots	H1	B	Ø N
1	200	40	125
2	200	71	125
3	235	101.5	160
4	235	132	160
5	275	163	200

Dimensions



Selection table for $L = 1000 - V_t = 0.375$ m/s

No. slots	Flow rate (m ³ /h)													
	40		80		120		160		200		250		300	
1	-	1.9	24	3.1	35	4.7								
	2.4	5.1	4	14	6	32								
2			-	2.2	20	3.3	27	4.4	33	5.5	38	6.6		
			2	3.5	3	8	4	14	5	22	6	32		
3					-	2.7	18	3.6	24	4.5	29	5.4	37	7.2
					2	3.5	2.6	6.3	3.3	10	4	14	5.3	25
4	NR	L ₁					-	3.1	18	3.9	23	4.7	30	6.2
	v _k	Δp _i					2	3.5	2.5	5.5	3	8	4	14

The NR values do not take into account room attenuation

K factors for other v_i

v _i (m/s)	0.25	0.375	0.50	0.625
L ₁ (m) x	1.50	1	0.75	0.60

A = With ceiling effect
 B = Without ceiling effect

K factor for vertical throw

L ₁	Δt (k)	-10	0	+15	v _k	Δp _i	NR
	Ax	x0.8	x0.5	x0.3			
	B	x0.55	x0.35	x0.2	x0.45	x0.8	-3